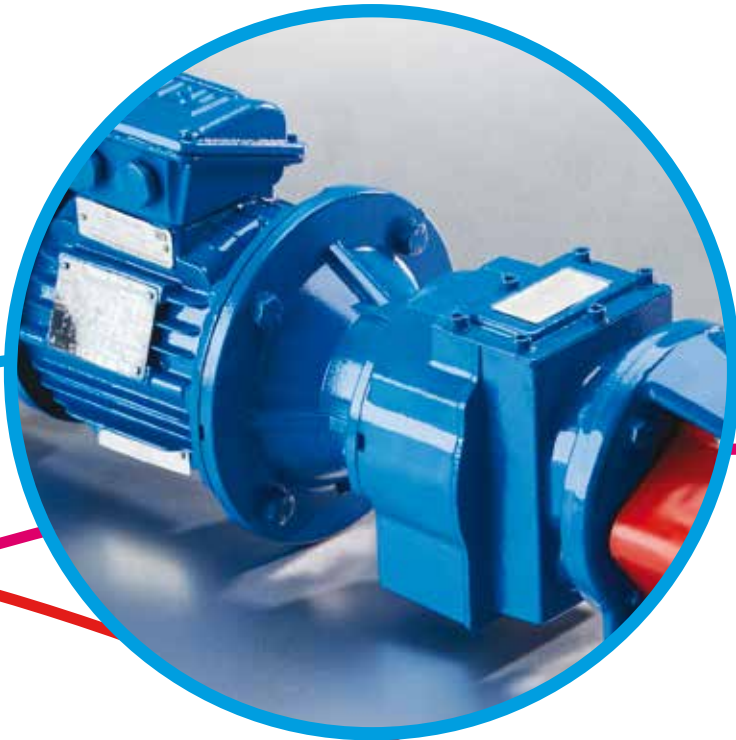


Mono™

Dosing Pump



NOV Mono

One Company, Unlimited Solutions



Features & Benefits

Capacity 5 - 1250 l/h / 0.02 - 5.50 USGPM

Pressure up to 72 bar / 1044 psi

Temperature up to 120°C / 248°F
(stainless steel models)

Typical applications include:

- Acids, alkalis
 - Sludge dewatering
 - Food ingredients
 - Brewing, winemaking
 - Chemical processing
 - Process mining
 - Dyes, inks
 - Flocculants
 - Cosmetics
 - Oil well dosing
-

“Designed for low flow, metering or dosing applications - offering continuous and accurate repeatability.”



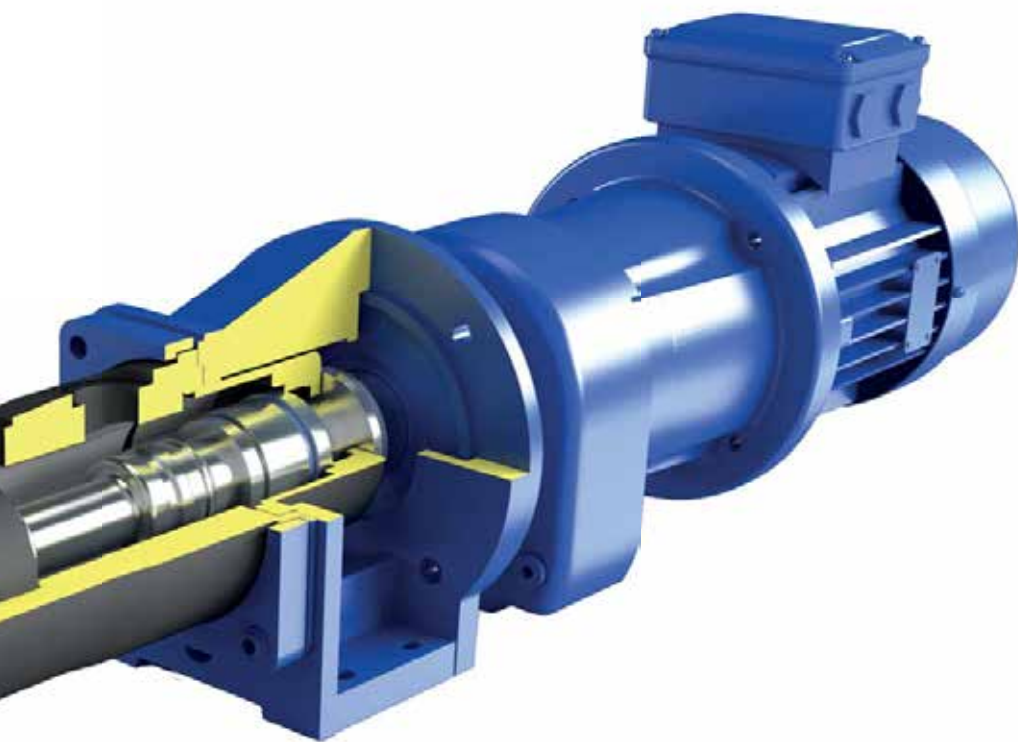
Materials of construction

All pump components, except the body, coupling rod and suction chamber are supplied in stainless steel. The suction chamber is manufactured in high density polyethylene.

The end cover and mechanical seal housing is in PVDF. For severe chemical environments, internal pump components are supplied in Hastelloy.

Resilient Stator

Flexible in operation and high resistance to wear. Available in a variety of materials, allowing a wide range of products to be pumped.



Flow meter

Available as an option for flow or temperature monitoring, up to 72 bar.

Gentle pumping action

Minimises shear and crush damage to the pumped product. No pulsation or emulsification.

Coupling Rod Design

New Mono design offers higher pressure capabilities, up to 72 bar.

Robust drives

Specially selected drives and gearboxes for longer life. Options include fixed or variable speed drives with mechanical variable speed or frequency inverter.

Interchangeable components

A number of Dosing pump parts are interchangeable with the small Compact C Range, reducing inventory holding.

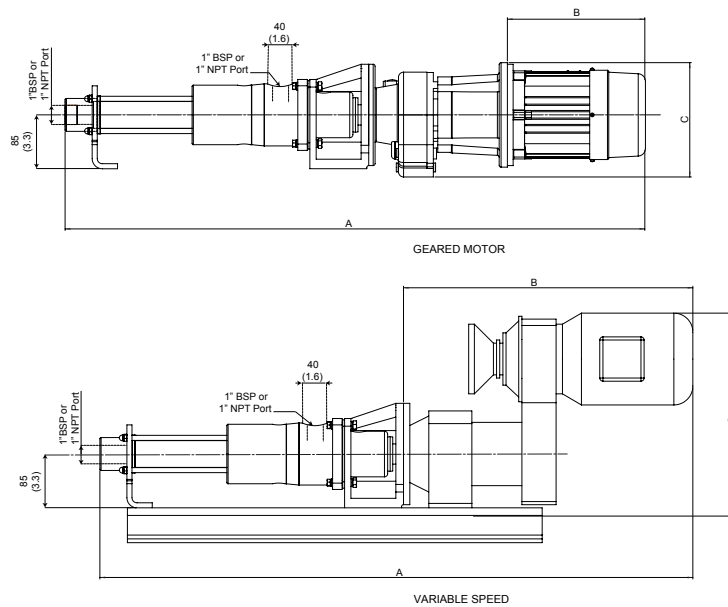
Sealed joints

Fully sealed drive train to maximise life and minimise downtime.

Handles gas entrainment

No air or gas locking in the pump. The positive seal formed by the interference fit between rotor and stator enables the pump to self prime and it also allows tri-phase liquids i.e. solids, gases and liquids to be handled easily.

Product Dimensions

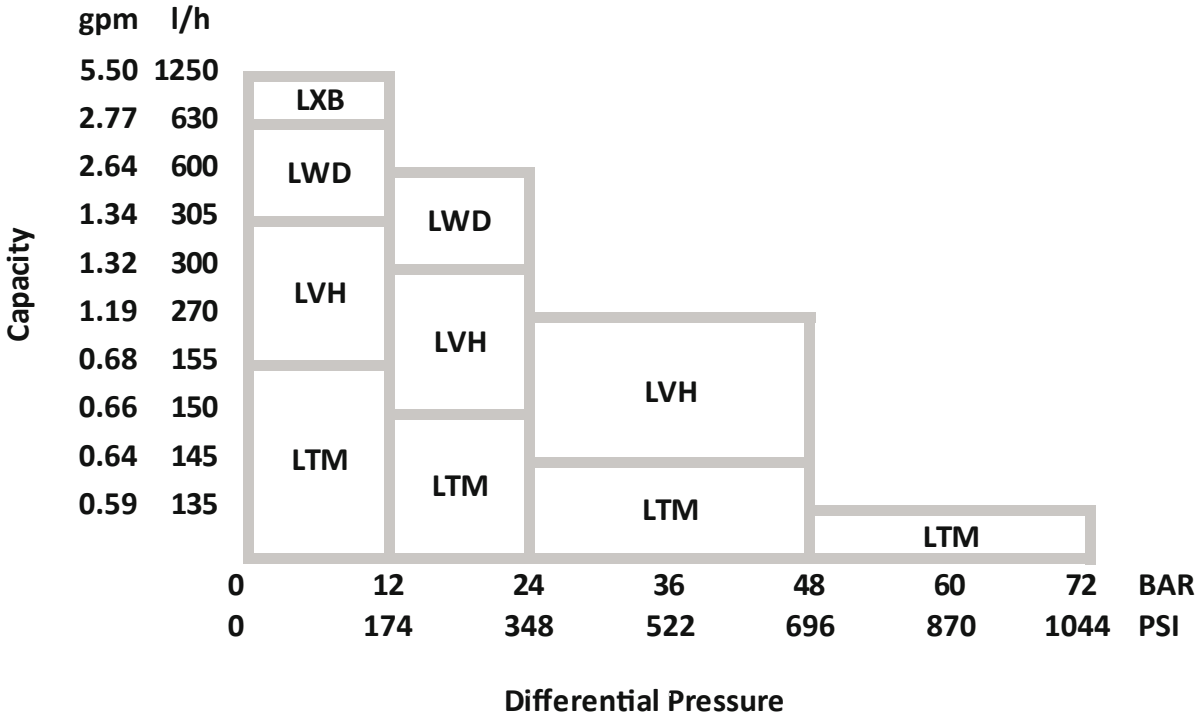


DRIVE VARIATION	PUMP MODEL	POWER		REF	A		B		C		MODEL	PUMP WEIGHT Kg (lb)						
		kW	HP		MM	INCHES	MM	INCHES	MM	INCHES		MOTORISED						
GEARED MOTOR	LXB	0.37	0.50	DA	803	31.6	323	12.7	168	6.6	LTM	15 Kg (33 lb)						
	LWD																	
	LVH	0.55	0.74	DA	940	37.0	340	13.4	178	7.0								
	LTM																	
	LVH	0.37	0.50	DB	863	33.9	323	12.7	168	6.6								
	LTM										0.55	0.74	DB	940	37.0	340	13.4	178
	LVH	0.37	0.50	DY	932	36.7	332	13.1	225	8.8								
	LTM										1.1	1.47	DY	957	37.7	357	14.1	225
	LTM	0.37	0.50	DZ	932	36.7	332	13.1	225	8.8								
	LTM										1.1	1.47	DZ	998	39.3	398	15.7	225
VARIABLE SPEED	LXB	0.37	0.50	EA/EC	937	36.8	457	17.9	306	12.0								
	LWD																	
	LVH																	
	LTM										1027	40.4	487	19.1	340	13.4		
	LXB	0.55	0.74	EB/ED	937	36.9	457	17.9	306	12.0								
	LWD																	
	LVH																	
	LTM										1027	40.4	487	19.1	340	13.4		

Weights are for guidance only. Please contact Mono for further assistance.

All dimensions are a guidance only. For full certified drawings or assistance in selecting a pump, please contact Mono.

Performance Data



For guidance in selecting a pump, please contact Mono.

Europe

Mono Pumps Ltd, Martin Street, Audenshaw
Manchester, M34 5JA, England
T. +44 (0)161 339 9000
E. info-mono@nov.com

NOV Mono, 2 Venture Road
University of Southampton Science Park
Chilworth, Southampton
Hampshire, SO16 7NP, England
T. +44 (0)23 8076 0000
E. Mono-oilandgas@nov.com

NOV Mono, 56, rue du Pont
88300 Rebeuville, France
T. +33 (0)3 29 94 26 88
E. monofrance@nov.com

Asia

Mono Pumps Ltd, Building 5, Madong Industrial Park
1250 Sicheng Road, Malu Town, Jiading District
Shanghai 201801, P.R. China
T. +86 (0)21 3990 4588
E. monoshanghai@nov.com

Australasia

Mono Pumps (Australia) Pty Ltd
75 Frankston Gardens Drive
Carrum Downs, Victoria 3201, Australia
T. 1800 333 138
E. ozsales@nov.com

Mono Pumps (New Zealand) Ltd
35-41 Fremlin Place, Avondale
Auckland 1026, New Zealand
T. +64 (0)9 829 0333
E. info@mono-pumps.co.nz

Africa

NOV Process and Flow Technologies
No. 10 Dipka Road, Kaymore Industrial Area
Stikland, Bellville 7530
Cape Town, South Africa
T. +27 (0)21 941 2900
E. pumpsalesafrica@nov.com

Americas

Moyno, 8708 W. Little York Rd, Suite 100
Houston, Texas 77040, USA
T. +1 281 854 0300
E. moyno@nov.com

Moyno, 1895 W. Jefferson Street
Springfield, Ohio, 45506, USA
T. +1 877 486 6966
E. moyno@nov.com

www.mono-pumps.com



Published information other than that marked CERTIFIED does not extend any warranty or representation, expressed or implied, regarding these products. Any such warranties or other terms and conditions of sales and products shall be in accordance with Mono Pumps Limited standard terms and conditions of sale, available on request.

© 2014 Mono Pumps Limited. All Rights Reserved.
Literature reference: MPSB/024/01/R2

Mono™ is a registered trademark of Mono Pumps Ltd.
Registered in England No 300721



One Company, Unlimited Solutions