

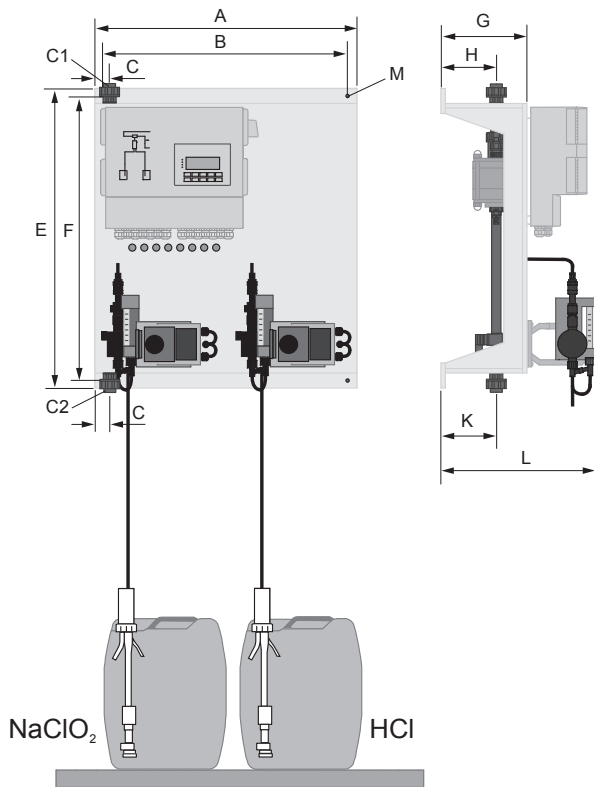
Oxiperm[®] 164 D for 30 to 2000 g/h

Preparation of chlorine dioxide from diluted solutions

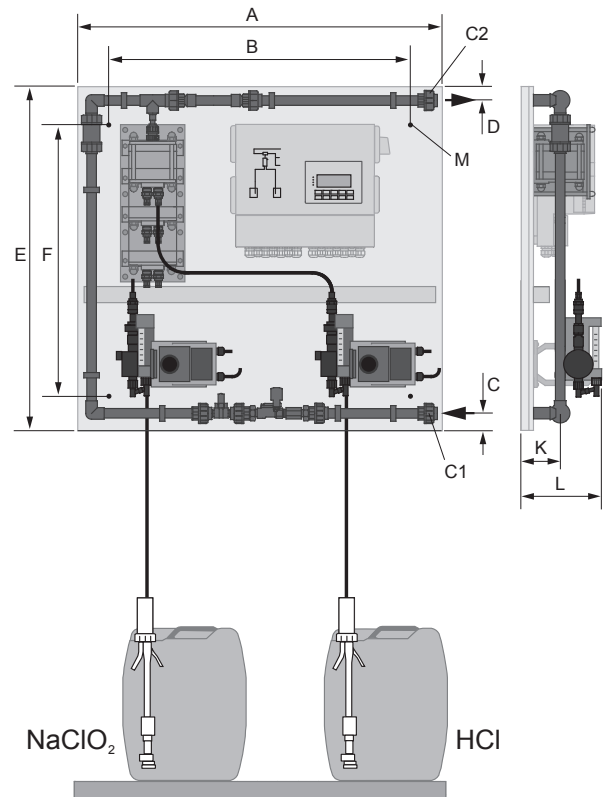


Measurements

Standard system



Front installation system 164-xxxDFI



Measurements in mm

A	B	C	E	F	G	H	K	L	M	Connections C1 and C2 Option: NPT 3/4"	Type
700	650	40	800	760	230	148	148	410	∅ 11	DN 20	164-030D
700	650	40	800	760	230	148	148	410	∅ 11	DN 20	164-120D
700	650	40	800	760	230	148	148	410	∅ 11	DN 20	164-220D
950	790	45	900	710	-	-	102	213	∅ 10	DN 20	164-030DFI
950	790	45	900	710	-	-	102	213	∅ 10	DN 20	164-120DFI
950	790	45	900	710	-	-	102	213	∅ 10	DN 20	164-220DFI
760	700	70	1010	970	268	135	181	470	∅ 11	DN 20	164-350D
760	700	70	1010	970	268	135	181	470	∅ 11	DN 20	164-700D
760	700	70	1010	970	268	135	181	470	∅ 11	DN 20	164-1000D
760	700	70	1300	1260	268	135	181	470	∅ 11	DN 20	164-1500D
760	700	70	1300	1260	268	135	181	470	∅ 11	DN 20	164-2000D

Electrical and electronic data

- Mains voltage 230 V / 50 Hz or 115 V / 60 Hz
- Control: PLC
- 4-line plain text display
- Menu-controlled operator prompting
- Flow-scheme with LED display showing mode and error signal

Power consumption	<ul style="list-style-type: none"> • up to 220 g/h approx. 300 VA • from 350 g/h approx. 650 VA
Analog inputs	0(4) - 20 mA input or free configuration, charge 50 Ohm
Digital inputs	<ul style="list-style-type: none"> • Contact water meter, 1 to 45 pulses/sec. for control *) • MIN contact for main water • Remote On/Off • Error gas warning unit • Preparation tank ClO₂: overflow, MAX, MIN, dry run
Analog outputs	0(4) - 20 mA input or free configuration, max. charge 500 Ohm
Potential-free outputs	<ul style="list-style-type: none"> • Error messages • Pre-alert: chemicals empty • Dry run ClO₂ solution tank (batch systems) • Automatic/manual operation max. charge 250 V, 6 A, max. 550 VA

*) **Note:** The water meter has to be designed in a way that the number of input pulses for the control is between 1 - 45 pulses/sec.

Versions

Check valve (reactor)

- System backpressure less than 3 bars
- System backpressure more than 3 bars

System completely for wall mounting

Options

- With solenoid valve, with / without exhaust system
- For batch operation, with / without exhaust system
- With internal bypass pump, with / without exhaust system
- With external centrifugal pump (provided by the customer), with / without exhaust system

Bus system

- Modbus (RS 232 / RS 485)
- Profibus DP module (on request)
- Ethernet TCP/IP module (on request)

Operating languages

Standard: German

Other languages can be selected with the software:

- English, French, Spanish, Italian

Suction line systems

- 2 suction lines with 2 tank covers
- With empty signal and pre-alert

Tank size	∅ tank opening	Suction line
30 l	45-46 mm	1.3 m, 2.5 m, 5 m
60 l	45-46 / 57-58.5 mm	1.3 m, 2.5 m, 5 m
200 l	56 mm	2.5 m, 5 m

Water extraction

Material	Connection system	Connection water supply	Order Number
PVC	DN 20	G1"	521-164.2

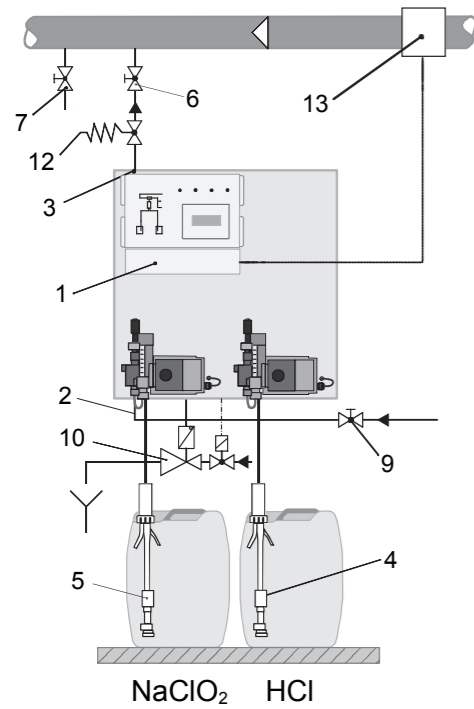
Injection unit

Material	Connection system	Connection injection unit	Order Number
PVC	DN 20	R1"	522-232

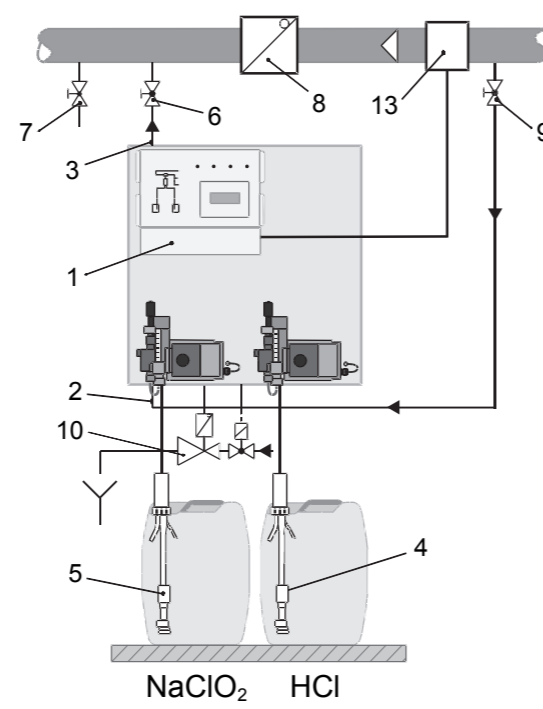
Spare parts sets

for Oxiperm*	System pressure	
	less than 3 bar	more than 3 bar
164-030D/120D	553-720	553-720.1
164-220D	553-745	553-745.1
164-350D	553-722	553-722.1
164-700D	553-723	553-723.1
164-1000D	553-724	553-724.1
164-1500D	553-725	553-725.1
164-2000D	553-726	553-726.1

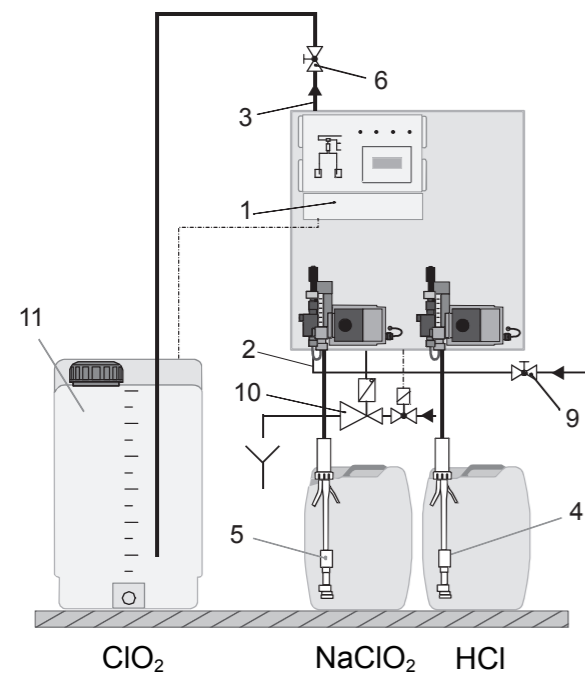
Oxiperm® 164 C
with solenoid valve



Oxiperm® 164 C
with internal bypass pump



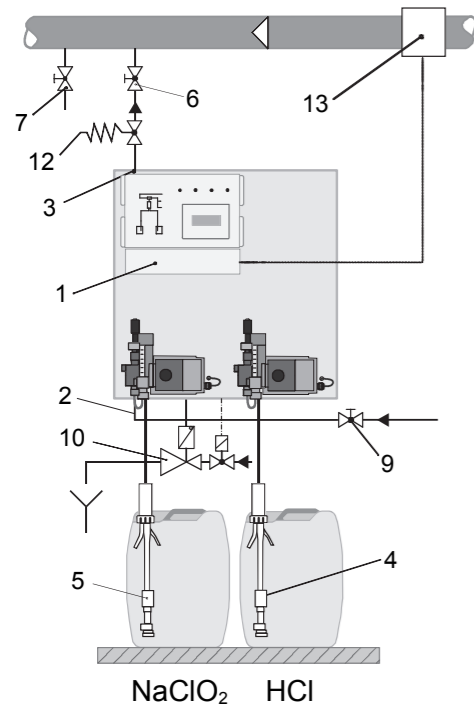
Oxiperm® 164 C
Batch operation



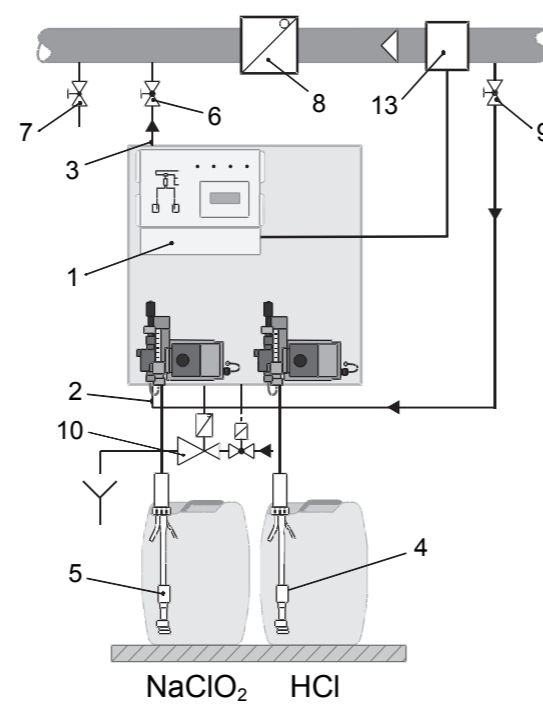
- 1 Oxiperm® 164 D electronics
- 2 Connection for bypass water input
- 3 Connection for the ClO₂ solution line output to the injection unit
- 4 Suction line for the HCl dosing pump
- 5 Suction line for NaClO₂ dosing pump
- 6 Shutt-off valve (by customer)
- 7 Sample extraction (by customer)
- 8 Check valve (by customer),
for operation with an internal bypass pump
- 9 Shut-off valve for bypass water extraction (by customer)
- 10 Exhaust system for supporting rack (option)
- 11 Dilution tank with level monitoring (option)
for batch operation
- 12 Pressure loading valves (by customer) for system backpressures < 1 bar
- 13 Inductive flowmeter 4-20 mA or contact water meter for proportional control of the system

Note:
For protection of the drinking water supply, the customer has to provide a pipe disconnecter (to DVGW, W624).

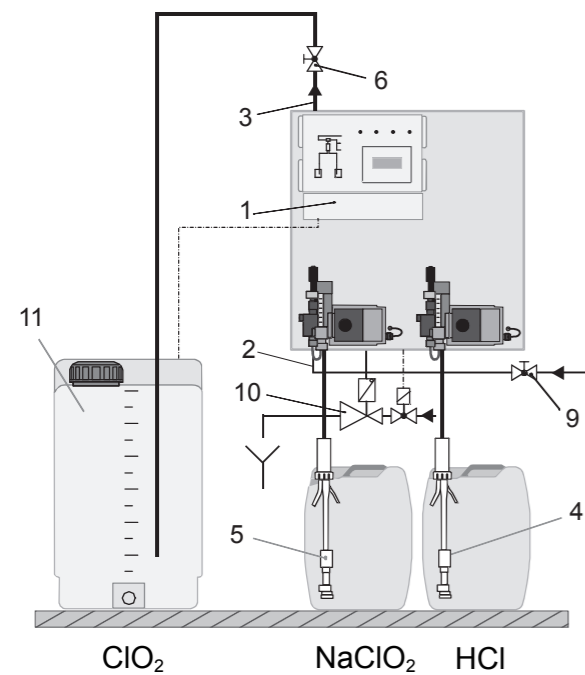
Oxiperm® 164 C
with solenoid valve



Oxiperm® 164 C
with internal bypass pump



Oxiperm® 164 C
Batch operation



- 1 Oxiperm® 164 D electronics
- 2 Connection for bypass water input
- 3 Connection for the ClO₂ solution line output to the injection unit
- 4 Suction line for the HCl dosing pump
- 5 Suction line for NaClO₂ dosing pump
- 6 Shutt-off valve (by customer)
- 7 Sample extraction (by customer)
- 8 Check valve (by customer),
for operation with an internal bypass pump
- 9 Shut-off valve for bypass water extraction (by customer)
- 10 Exhaust system for supporting rack (option)
- 11 Dilution tank with level monitoring (option)
for batch operation
- 12 Pressure loading valves (by customer) for system backpressures < 1 bar
- 13 Inductive flowmeter 4-20 mA or contact water meter for proportional control of the system

Note:
For protection of the drinking water supply, the customer has to provide a pipe disconnecter (to DVGW, W624).

91834789 0108	EN
15.810017 V7.0	

Subject to change