

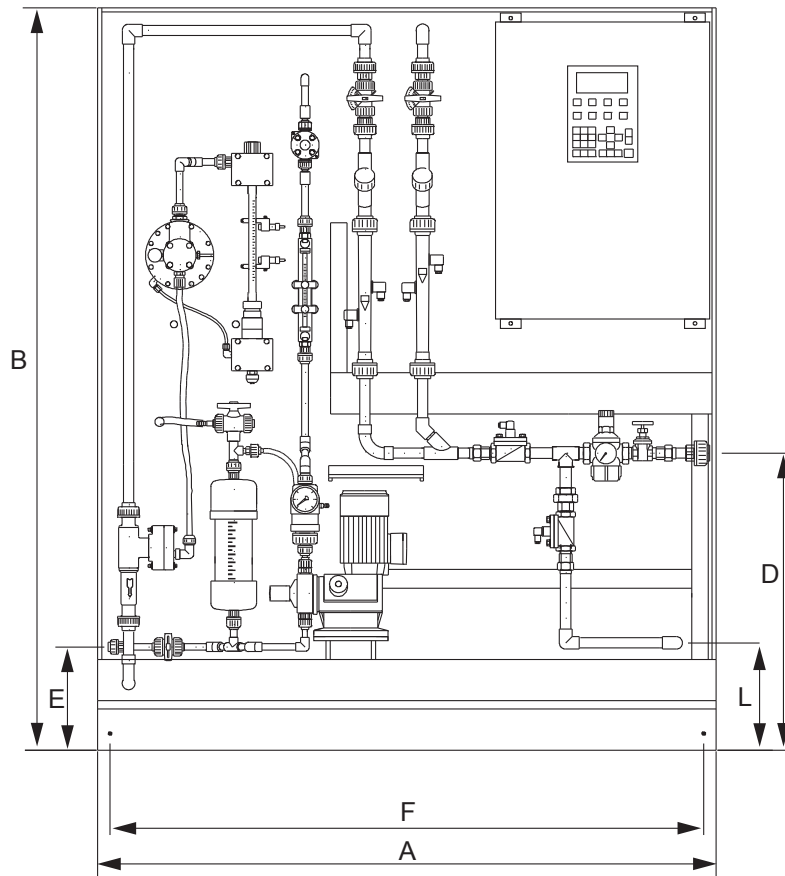
Oxiperm[®] 166 for 750 g/h to 10 kg/h

Fully-automatic chlorine dioxide preparation system

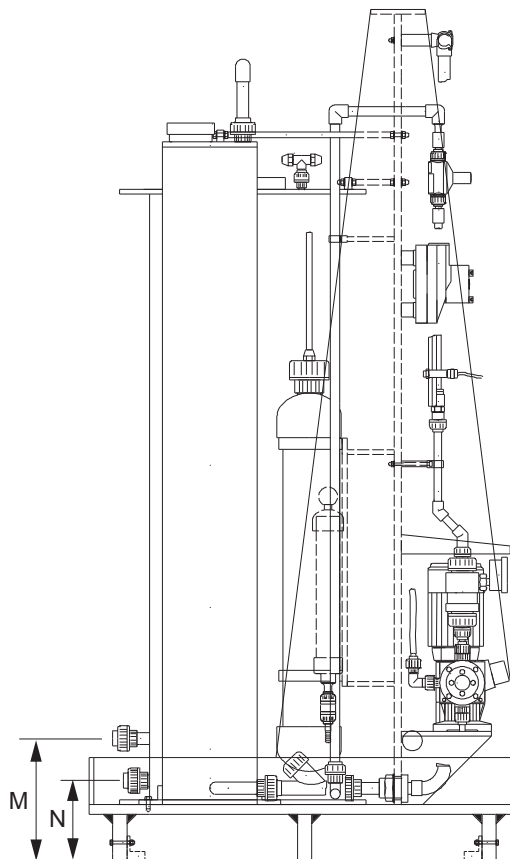


Measurements

Front view

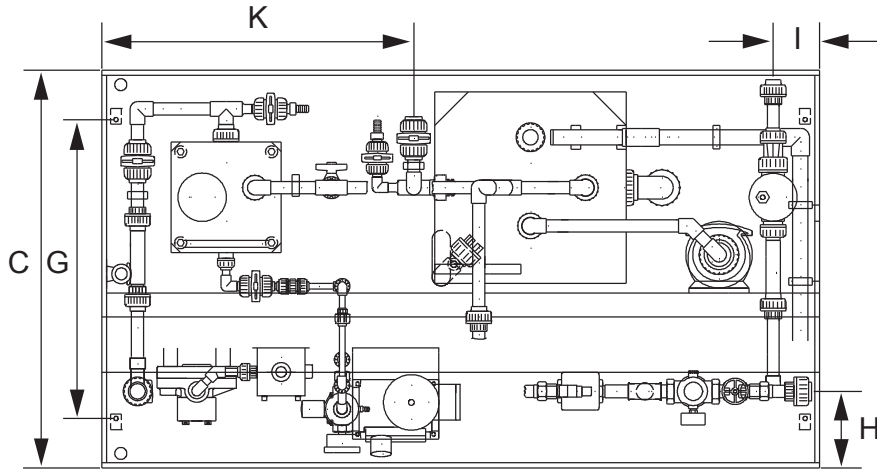


Lateral view



Measurements

Top view



Measurements in mm

A	B	C	D	E	F	G	H	I	K	L	M	N	Connections			Type	
													Cl ₂ PE hose	ClO ₂	NaClO ₂		exhaust injector
1500	1800	910	400	255	1440	760	160	97	600	140	260	260	8/11	DN 20	DN 10	DN 20	166-007G
1500	1800	910	400	255	1440	760	160	97	600	140	260	280	8/11	DN 32	DN 10	DN 20	166-015G
1500	1800	910	400	255	1440	760	160	97	600	140	260	280	8/11	DN 32	DN 10	DN 20	166-025G
1500	1800	1400	400	255	1440	1250	160	97	665	140	260	280	8/11	DN 32	DN 10	DN 25	166-050G
1500	1800	1400	400	255	1440	1250	160	97	665	140	260	300	10/14	DN 40	DN 10	DN 25	166-075G
1500	1800	1400	400	255	1440	1250	160	97	665	140	260	300	10/14	DN 40	DN 10	DN 25	166-100G

Types

t) ‡ | % x ‹ € ... ~ ‡ % | Š Š € % | i y x %

t † ... z | ... ‹ % x ‹ € † ... € ... ‹ • | y

ClO ₂ preparation capacity [kg/h]	Consumption of		Operating water consumption [l/h]				Weight [kg]	Type
	Cl ₂ [kg/h]	NaClO ₂ [l/h]	injector	eilution	exhaust	total		
0.75	0.5	3.5	150	90	700	940	210	166-007G
1.5	1	7.0	280	200	1100	1580	235	166-015G
2.5	1.65	11.8	470	340	2400	3200	250	166-025G
5.0	3.3	23.5	940	680	2200	3790	330	166-050G
7.5	4.9	35	1400	1000	3400	5800	370	166-075G
10.0	6.6	47	1900	1300	4200	7400	400	166-100G

Technical data

Adjustment of the preparation capacity	Manual by dosing pump and ball valves	
Protection level	IP 65 electronics, dosing pumps, solenoid valve, flowmeter	
Admissible concentration of chemicals	NaClO ₂ 24.5 percent by weight	Cl ₂ 3 g/l (after the injector)
Admissible temperature		
<ul style="list-style-type: none"> • ambient temperature • operation water • chemicals (NaClO₂ / Cl₂ basis) 	5 to 40 °C 2 to 30 °C 2 to 30 °C	
Admissible relative air humidity	max. 80% at 40 °C, not condensing	
Connections		
<ul style="list-style-type: none"> • water supply • chemicals: <ul style="list-style-type: none"> NaClO₂ Cl₂ gas ClO₂ solution 	PVC pipe DN 25 or DN 32 PVC pipe DN 10 PE hose 8/11 to dosing regulator PVC pipe DN 32 or DN 40	
Safety equipment	<ul style="list-style-type: none"> • Monitoring of capacity (water, chemicals) via MIN/MAX contacts 	
Material	Supporting rack PP Mounting parts stainless steel Reactor PVC Solution tank PVC Pipes PVC Gaskets FPM	

Electrical and electronic data

- Mains voltage 230 V / 50 Hz or 115 V / 60 Hz
- Control: PLC
- Convenient plain text operator prompting
- Password protection
- Automatic stop in case of malfunction
- Output contacts for operation mode and error messages
- Input and display of date and time
- Remote On/Off

Power consumption	166-007G 166-015G 166-025G	approx. 160 VA
	166-050G 166-075G	approx. 190 VA
	166-100G	approx. 280 VA
Digital inputs	<ul style="list-style-type: none"> • Remote On/Off • Error gas warning unit • Cl₂ group 1 + 2 • NaClO₂ level control 	
Potential-free outputs	<ul style="list-style-type: none"> • Error messages • Pre-alert: chemicals empty • Dry run ClO₂ solution tank • Automatic/manual operation 	

Options

Bussystem

- Modbus (RS 232 / RS 485)

Operating languages

Standard: German

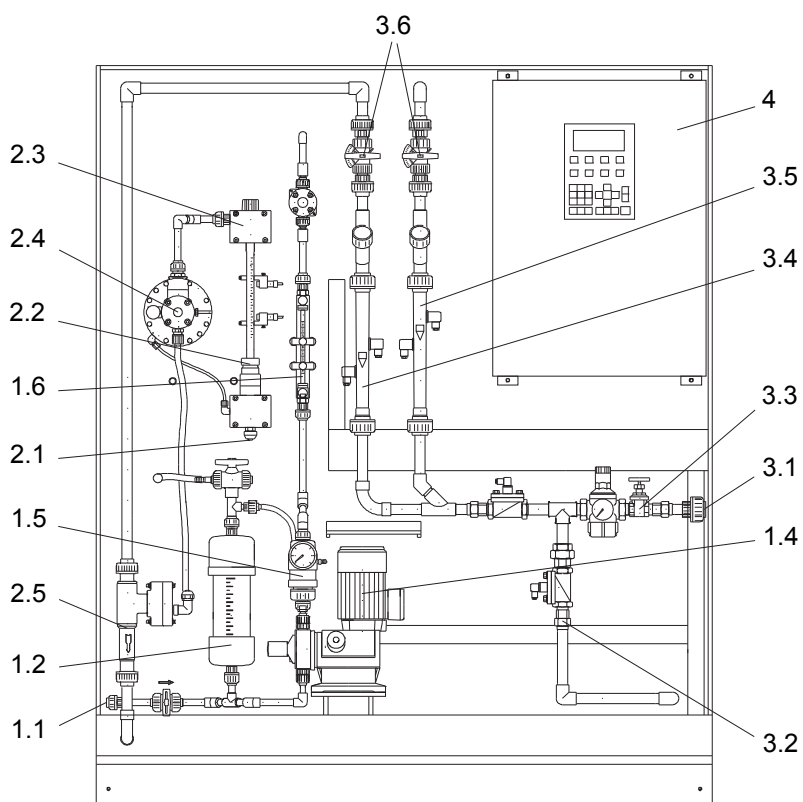
Other languages can be selected with the software:

- English, French, Spanish, Italian

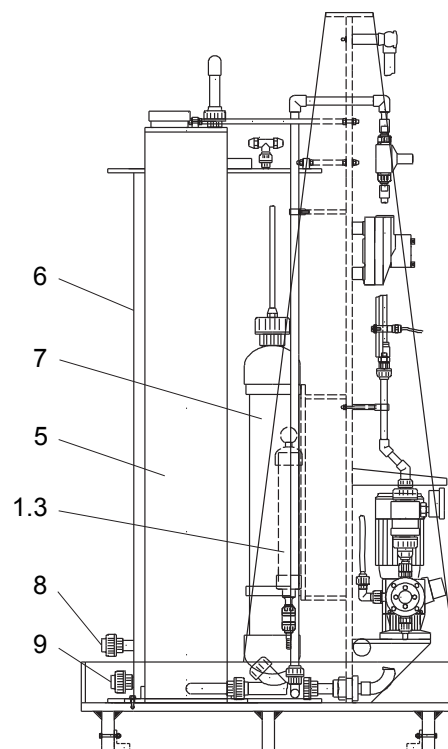
Spare parts sets

for Oxiperm®	Order number
166-007G/-025G	553-1312
166-050G/-100G	553-1313

Front view



Lateral view



1 Dosing system for NaClO₂

- 1.1 NaClO₂ connection
- 1.2 Calibration vessel
- 1.3 Suction device
- 1.4 Piston diaphragm dosing pump, with deaeration valve
- 1.5 Pulsation damper with manometer
- 1.6 Flow meter with limit switch for NaClO₂

2 Dosing system for chlorine gas

- 2.1 Cl₂ vacuum connection (of the vacuum regulator)
- 2.2 Flow meter with limit switch for Cl₂
- 2.3 Cl₂ adjusting valve
- 2.4 Differential pressure regulator for Cl₂
- 2.5 Cl₂ injector

3 Operating water supply

- 3.1 Operating water connection
- 3.2 Water supply for the exhaust injector
- 3.3 Water supply for injector and post-dilution device
- 3.4 Flow meter with limit switch for injector operating water
- 3.5 Flow meter with limit switch for post-dilution device
- 3.6 Water flow adjusting valves

4 Control panel for PLC and operating unit with LC display

- 5 ClO₂ reactor
- 6 Batch tanks with level sensors (Min., Max., dry run and overflow)
- 7 Absorption filter
- 8 Outlet suction injector for the batch tank
- 9 ClO₂ discharge connection

91834791 0108	EN
15.810032 V7.0	

Subject to change!