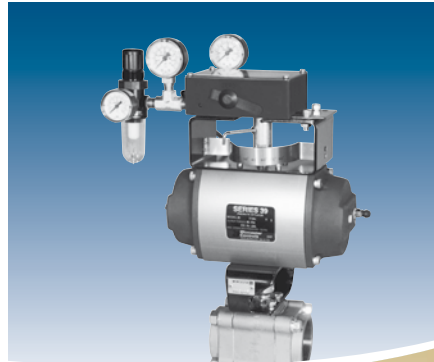




Worcester Controls Product Catalog



Experience In Motion



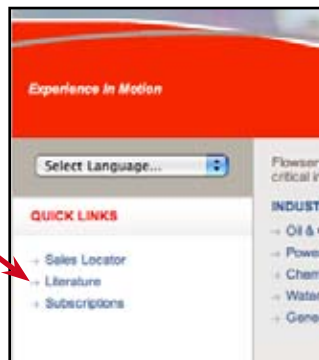
To Access Literature Online

Every item in this catalog has a brochure containing a great deal of technical product detail. It's easy to find... it's free... and you do not need a password.

Do This:

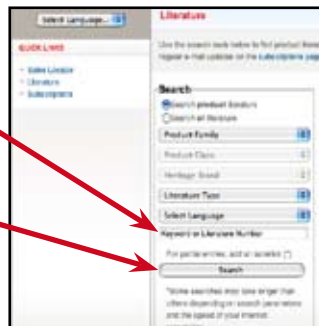
- 1 Go to www.flowserve.com

- 2 Click in the box that says "Literature"



- 3 Enter keyword or literature number

- 4 Click on "Search"



The most recent version of each product bulletin will be available on this site.

- Once you have the PDF, you can:
- read it
 - print it
 - download it
 - even e-mail it

Table of Contents

Section	Page
Product Index	3
Ordering Preprinted Literature.....	3
Valves	
3-piece	4
Flanged	5
Wafer	6
Directional	6
Special Service	
Fugitive Emissions	6
Chlorine	7
Firesafe	7
Cryogenic.....	7
High Purity.....	8
High Pressure	9
Tank Bottom	9
Control.....	9
Actuation	
Actuator	
Electric	10
Pneumatic.....	11
Switch	
End Mount	12
Top Mount	12-14
Positioner	
Pneumatic.....	14
Electric.....	15

Flowserve rotary valves offer easy maintenance and automation backed by market-friendly expertise and quality heritage brands



Product Index

Product Series	Page	Product Series	Page
34	11	Cryogenic	7
36	10	CL51/52	7
39	11	DFC17	15
44	4	DFP17	15
45	4	Directional	6
59	4	ELK39	12
72	10	Firesafe	7
75	10	Flanged	5
94	6	Fugitive Emissions	6
151	6	FZ44	7
301	6	FZ51/52	7
3-piece	4	FZ94	7
51/52	5	H44	9
818/828	5	H71	9
82/83	5	High Pressure	9
ACCESS	11	High Purity	8
AF17	15	L93	14
AF44	7	Multiport	6
AF51/52	7	PM15	14
AF82	6	PM15E	14
AF83	6	PT	9
AF94	7	Pulsair	14
Aviator	13	Tank Bottom	9
BUSwitch	14	UltraSwitch	12, 13
C4	7	Wafer	6
C44	7	WGL	12
C51	7	WK44	8
Chlorine	7	WK70	8
CL44	7	WK74	8
CL94	7	WPL	13
Control	9	WXCL	13
CPT	10		

Ordering Preprinted Literature

Customers, please contact your Flowserve sales representative to get hard copy of a brochure. Flowserve representatives and distributors can go to www.flowserve.com and click on the "View Literature" link then click on "Log-in to order hard copy literature" and follow the prompts.

To order hard copies, you will need to get a password, which may take up to a day or two.

SERIES 44



Features

- 3 Piece Swing out design Ball Valve
- ASME class 600 design
- Meets ASME B16.34 requirements (consult Pressure/Temperature Charts)
- “Live loaded” stem seal design
- Multiple soft and metal seat options
- Tight Shut off and Bi-Directional sealing
- Cavity Filled Designs
- Special Service Applications: UL, FM, USCG and other Special service approvals

Sizes

- 1/4” - 2”
- Screwed end
- Socket weld
- Butt weld, Solder ends (Brass only)

Materials

- Carbon Steel
- Stainless Steel
- Brass
- Monel
- Alloy 20
- Hastelloy-C

Standards

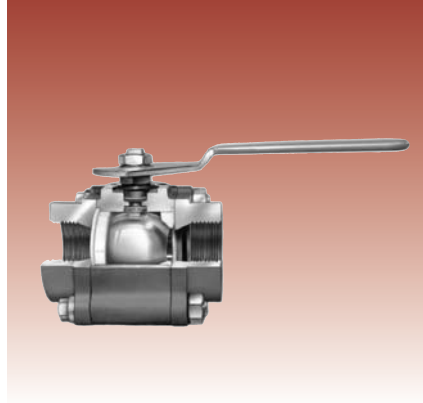
- ASME B16.34
- S.E. to ASME B 2.1
- S.W. to ASME B 16.11
- API 607 Fire Test

Get more information:
Product catalog:
WCABR1050

IOMs
WCAIM2030

See pages 2.

SERIES 59



Features

- 3 Piece Full Port Ball Valve:
- ASME class 600 design
- Meets ASME B16.34 requirements (consult Pressure/Temperature Charts)
- “Live loaded” stem seal
- Multiple soft and metal seat options
- Tight Shut off and Bi-Directional Sealing
- Cavity Filled Designs
- Full Port design minimizes pressure drop across the valve and maintains a high efficiency, reducing pumping cost.

Sizes

- 1/4” - 4”
- Screwed end
- Socket weld
- Butt weld

Materials

- Carbon Steel
- Stainless Steel

Standards

- ASME B16.34
- S.E. to ASME B 2.1
- S.W. to ASME B 16.11
- API 607 Fire Test

Get more information:
Product catalog:
WCABR1050

IOMs
WCENIM2030 (for Miser)
WCENIM2046 (for large 59)
WCENIM2054 (for FM)

See pages 2.

SERIES 45



Features

- Large-diameter, 3 Piece Ball Valve
- ASME Class 300
- Three piece design allows valve to act as a valve and union
- Large diameter bore for O.E.M. equipment and packaging systems
- Compact design with multiple options
- Tight Shut off and Bi-Directional sealing
- Cavity Filled Designs

Sizes

- 2-1/2”, 3”, 4”, 6”
- Screwed end
- Socket weld
- Butt weld

Materials

- Carbon Steel
- Stainless Steel

Standards

- S.E. to ASME B 2.1
- S.W. to ASME B 16.11
- ASME B16.34
- API 607 Fire Test

Get more information:
Product catalog:
WCABR1050

IOMs
WCENIM2046

See pages 2.

SERIES 51/52



Features

- Flanged Unibody Design
- ASME class 150/300
- Tight shut-off
- “Live loaded” stem seal
- Multiple soft and metal seat options
- Wide variety of Body, Seat and Seal materials means dependable, high cycle control on Steam, Petroleum products, Chemicals and abrasive liquids
- Pre-drilled mounting holes for actuation
- Tight Shut off and Bi-Directional sealing
- Cavity Filled Designs

Sizes

- 1/2" - 10" Flanged
- ASME 150# and 300# class

Materials

- Carbon Steel
- Stainless Steel

Standards

- ASME B16.34
- API 607 Fire Test

Get more information:

Product catalog:
WCABR1013

IOMs

WCENIM2014 (for small valves)
WCENIM2015 (for large valves)
WCENIM2054 (for FM)

See page 2.

SERIES 82 & 83 AF 82 & 83



Features

- Flanged Full-Port Unibody Design
- ASME class 150/300
- Tight shut-off
- “Live loaded” stem seal
- Multiple soft and metal seat options
- Full Port design minimizes pressure drop across the valve and maintains a high efficiency, reducing pumping cost.
- Wide variety of Body, Seat and Seal materials means dependable, high cycle control on Steam, Petroleum products, Chemicals and abrasive liquids
- Firesafe by design

Sizes

- 1/2" 3/4" 1" 1.5" 2.5" 10"
- For 2" and 3" to 8", See Series 818
- ASME 150# and 300# class

Materials

- Carbon Steel
- Stainless Steel

Standards

- ASME B16.34
- API 607 Fire Test

Get more information:

Product catalog:
WCABR1016

IOMs

WCENIM2047

See page 2.

SERIES 818 / 828



Features

- Split Body, Full-Port Design
- Full Port Design
- ISO 5211 mounting
- Full Port design minimizes pressure drop across the valve and maintains a high efficiency, reducing pumping cost.
- Wide variety of Body, Seat and Seal materials means dependable, high cycle control on Steam, Petroleum products, Chemicals and abrasive liquids
- Cavity Filled Designs

Sizes

- 2", 3"- 8"
- ASME 150# and 300# class

Materials

- Carbon Steel
- Stainless Steel

Standards

- API 6D
- API 607 4th Edition
- NACE MR01-75
- BS 5500 Pressure Vessel Code

Get more information:

Product catalog:
WCABR1015

IOMs

WCENIM2020 (for std. valve)
WCENIM2057 (for fugitive emission)

See page 2.

Series 151 and 301



Features

- Wafer Design
- Designed for light weight.
- Symmetrically balanced to avoid side loads from actuation 40-60% less weight than conventional ball valves
- Suitable for Steam processes including vegetable peelers, Steam ejectors, Distilleries, and more.

Sizes

- 3", 4", 6"
- ASME 150# and 300# class

- Rated at 720 CWP

Materials

- Bronze
- Ductile iron

Get more information:

Product catalog:
WCABR1041

IOMs
WCENIM2015

See page 2.

Series D44/D4, D51, 18/19



Features

- Multi-port Diverter Valves
- Three-piece or flanged design
- Bottom entry or side entry
- Full port or standard port
- 90 or 180 degree operation
- The D51 cast flanged have similar operations as the D44/D4 but for larger sizes
- The D44/D4 3-piece diverter valve is designed to accept media through a bottom inlet port and direct it to either of two outlet ports
- ASME 150 flanges
- The 18/19 Series is extremely adaptive
 - . Up to 5 ports
 - . multiple seat and body materials
 - . standard or full port
 - . Optional fugitive emission design
 - . Class 150 or 300
 - . Screwed, socket or butt weld and slip-on flanges

Sizes

1/2" - 2" for D44/D4 3-piece valve
For 2" - 8" for D51 Flanged valve
1" - 6" for Series 18 & 19 valve

Materials

Carbon Steel
Stainless Steel

Standards

ASME B16.34
API 607 Fire Test

Get more information:

Product catalog:
WCABR1052

IOMs
WCENIM2030 (for Miser)
WCENIM2015 (for large valves)

See page 2.

Series 94, 94-150, 94-300, 94-600



Features

- Specially designed to control and minimize fugitive Emissions.
- Outstanding performance on high-cycle applications, where no stem leakage is allowed
- Double „live loaded“ Stem seal design
- High Vacuum capability
- High cycle capability
- Suitable for Category M services
- Pressure classes to ASME 600

Sizes

- 1/2" - 2" 3 piece design
- Screwed end
- Socket weld
- Butt weld
- 1/2" to 8" Flanged design

Materials

- Carbon Steel
- Stainless Steel
- Hastelloy-C trim option

Standards

- ASME B16.34
- S.E. to ASME B 2.1
- S.W. to ASME B 16.11
- API 607 Fire Test

Get more information:

Product catalog:
WCABR1023

IOMs
WCENIM2003 (for std. valve)
WCENIM2057 (for fugitive emission)

See page 2.

Series CL94, CL44, CL 51/52



Features

- Special for Chlorine Service
- Liquid and gas
- Relief vent in ball vents to the high pressure side
- Constructed in accordance with the recommendations of the Chlorine Institute including special testing, cleaning and packaging
- Available with 94 FEM stem design
- Assembled in Class 1000 clean room
- Pressure classes to ASME 600

Sizes

- ½" - 2" 3 piece design
- Screwed end
- Socket weld
- Butt weld
- ½" to 4" Flanged design

Materials

Carbon Steel/Monel Trim

Standards

- ASME B16.34
- Chlorine Institute Pamphlet 6
- MSS-SP-72, B31.1, B31.3

Get more information:

Product catalog:
WCABR1039

IOMs

WCENIM2009 (for series 94)
WCENBR2014 (for small 51/52)
WCENBR2015 (for large 51/52)
WCENBR2030 (for Miser)

See page 2.

Series: AF 44, FZ 44, AF 51/52, FZ 51/52, FM 51/52, AF 94, FZ 94 AF 818/828, EAF 818/828



Features

- Fire-Safe Valves
- Ensure operational integrity before, during, and after a fire.
- Tight Shut off, Anti static, no external leakage
- Available with 94 FEM stem design
- Pressure classes to ASME 600

Sizes

- ½" - 2" 3 piece design
- Screwed end
- Socket weld
- Butt weld
- ½" to 10" Flanged design

Standards

- ASME B16.34
- API 607 Fire Test
- EXES 3-14-1-2A
- BS 6755-PT2
- FM 7440

Get more information:

Product catalog:
WCABR1029

IOMs

WCENIM2003 (for series 94)
WCENIM2014 (for small 51/52) WCENIM2015
(for large 51/52 & 151/301)
WCENIM2020 (for series 818/828)
WCENIM2030 (for Miser)
WCENIM2047 (for series 82/83)
WCENIM2052 (for 51/52 FM)
WCENIM2054 (for O&G shutoff FM)
WCENIM2057 (for fugitive emissions)

See page 2.

Series C4, C44, and C51



Features

- Cryogenic Services
- High-performance, shutoff valves for intermittent and continuous flow applications with temperatures to -425°F
- Positive Ball/Cavity relief with V3 vent hole
- Zero Leak packing
- Effective Bonnet Extensions
- Valves designed for low thermal stress, automation and Fire Safety
- Assembled in Class 1000 clean room
- Pressure classes to ASME 600

Sizes

- ½" - 2" 3 piece design
- Screwed end
- Socket weld
- Butt weld
- ½" to 6" Flanged design

Materials

- Brass
- Stainless Steel

Standards

- ASME B16.34
- API 607 Fire Test

Get more information:

Product catalog:
WCABR1040

IOMs

WCENIM2006 (for R12/R6 or earlier)
WCENIM2038 (for std. valve)

See page 2.

WK44 HIGH PURITY VALVES**Features**

- High Purity, Cast 316L
- Class 100 Clean Room Assembly
- 30Ra interior surface finish
- Diverter and Three-way porting
- Aseptic purge connections
- Quick disconnect & Extended weld ends

Specifications

- Size Range: ½" - 2.0"
- Body Styles: 2-way and 3-way

Materials:

- ASTM A351-CF3M, ASTM A479
- Interior Surface Finish: 30Ra std, 15Ra electropolished
- Seats/Seals: PTFE, UHMWPE, Polyfill

Agency Approvals

- FDA(21CFR), USDA, USP

Applications

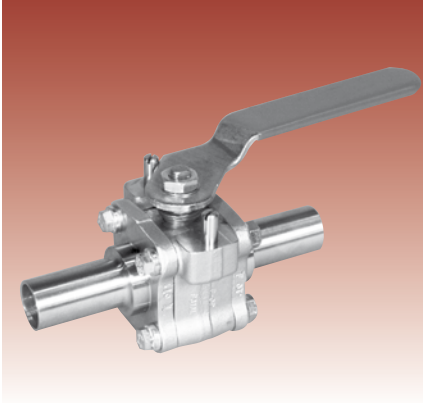
- Sterile steam, cosmetics and creams, oils, detergents, food processing

Get more information:

Product catalog:
WCABR1035

IOMs
WCAIM2030

See page 2.

WK74 HIGH PURITY VALVES**Features**

- High Purity, Cast 316L - Tube bore
- Class 100 Clean Room Assembly
- 20Ra interior surface finish
- Controlled ferrite <5%
- Controlled sulfur for orbital welding
- CMTRs standard

Specifications

- Size Range: ½" - 4.0"
- Body Styles: 2-way and 3-way

Materials:

- ASTM A351-CF3M, ASTM A479
- Interior Surface Finish: 20Ra std, 10Ra electropolished
- Seats/Seals: PTFE, TFM, Polyfill

Agency Approvals

- ASME BPE, FDA(21CFR), USP Class 6, USDA

Applications

- High purity and aseptic processes, sterile steam, high purity water, fermentation, lyophilization, food processing

Get more information:

Product catalog:
WCABR1037

IOMs
WCAIM2018

See page 2.

WK70 HIGH PURITY VALVES**Features**

- High Purity, Forged F316L - Tube bore
- Class 100 Clean Room Assembly
- 20Ra interior surface finish
- Controlled ferrite <5% (<1% optional)
- Controlled sulfur for orbital welding
- CMTRs

Specifications

- Size Range: ½" - 4.0" (6.0" optional)
- Body Styles: 2-way and 3-way

Materials: ASTM A182 F316L, ASTM A479

- Interior Surface Finish: 20Ra std, 10Ra electropolished
- Seats/Seals: PTFE, TFM, Polyfill

Agency Approvals

- ASME BPE, FDA(21CFR), USP Class 6, USDA

Applications

- Pharmaceutical/Biotech, microelectronics, steam distribution and distillation, fermentation, lyophilization, food and beverage

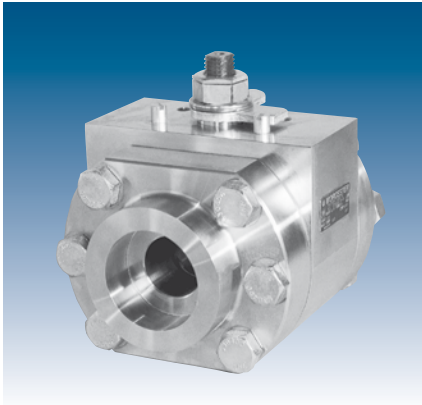
Get more information:

Product catalog:
WCABR1036

IOMs
WCAIM2018

See page 2.

**Series: 4, H44,PT
High-per Miser
H71 Hydromizer**



Features

- High-Pressure Valves
- Resilient seated valves for High pressure and High Temperature applications
- Pressures above ASME 600 to 5000 psi and (ASME Class 2500 (Consult Brochure for PT curves and limitations))
- Used in Steam, Hydraulics, gasses and fluids, CNG and Subsea

Sizes

- ½" - 2" 3 piece design
- Screwed end
- Socket weld, Butt weld
- ½" to 6" Flanged design
- Wafer 3"-6"

Standards

- ASME B16.34
- S.E. to ASME B 2.1
- S.W. to ASME B 16.11 (Consult product catalog)

Get more information:

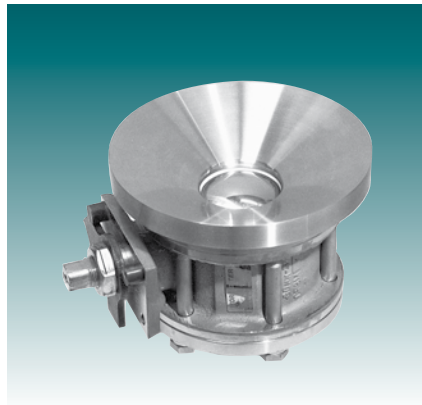
Product catalog:
WCABR1051

IOMs

WCENIM2015 (for large 51/51)
WCENIM2024 (for std. valve)
WCENIM2030 (for Miser)

See page 2.

TANK BOTTOM VALVES



Features

- Flush, Tank-bottom Drain valve
- For Biotech, Pharmaceutical, Food, Chemical and Cosmetic Processing
- Worcester 3 pc design advantages with a tank bottom end piece design.
- Available prepared for O2 and vacuum services
- Pressure classes to ASME 600

Sizes

- 1" - 4" 3 piece design
- Screwed end
- Socket weld, Butt weld

Get more information:

Product catalog:
WCENBR1028

Installation instructions:

WCENIM2001

See page 2.

**SERIES CPT
CONTROL VALVE**



Features

- The CPT is a characterized seat Control Valve with a revolutionary design
- Precision Control, high capacity
- Zero external leakage
- High Cycle Capacity
- Custom-cut Characterized Seats
- High Rangeability
- Efficient Shearing Action

Sizes

- ½" - 2" 3-piece design
- Screwed end
- Socket and Butt weld
- ½" to 4" Flanged design
- Wafer 3"-6"
- Pressure classes to ASME 600 (Consult Literature)

Standards

- ASME B16.34
- S.E. to ASME B 2.1
- S.W. to ASME B 16.11 (Consult product catalog)

Get more information:

Product catalog:
WCABR1001

IOMs

WCENIM2009 (for series 94)
WCENIM2040 (for series 44)

See page 2.

SERIES 36 ELECTRIC ACTUATOR



Features

- Compact size
- Permanently Lubricated and sealed gear train
- Thermal overload protection
- Simple mounting and installation
- Additional output switch
- Solid-State timer option for automatic cycling

Torque Range

- 150 in-lb and 550 in-lb output torques

Temperature Range

- 0 deg F to 150 deg F maximum ambient

Supply Voltage

- 120 VAC 50/60, 240 VAC 50/60

Standards

- Type 1, 4 and 4X

Applications

- Industrial quarter-turn ball valves

OEM installations

- Air Drying Equipment
- Sampling systems
- Compressor installations
- Condensate draining
- Tank draining

Get more information:

Product catalog:
WCABR1006 or WCABR1007

IOM
WCAIM2007

See page 2.

SERIES 75 ELECTRIC ACTUATOR



Features

- Two Year Warranty
- Baked Epoxy Coated
- Permanently Lubricate Gear Train
- Manual override
- Thermal Overload Protection
- Reversible Rotary Operation

Optional Features

- Extended Duty Cycle Motors
- Fail Safe Capability
- Positioners and P.I.D. Controllers
- RTU Solar Power Interface

Torque Range

- 150 - 3000 in-lbs

Temperature Range

- -40 F to 150 F

Supply Voltage

- 120 & 240 VAC, 12 & 24 VDC

Standards

- Type I, 4, 4X
- Class 1, Div 1, Groups C, D

Applications

- Process control for rotary valves, dampers and multi-turn chokes
- Boiler feed water
- Temperature control (steam, thermal fluid)
- Chemical, Power, Water/Waste Water, Food & Beverage, HVAC

Get more information:

Product catalog:
WCABR1014

IOM
WCAIM2013

See page 2.

SERIES 72 ELECTRO-HYDRAULIC ACTUATOR



Features

- Fail-safe on power failure
- Fast moving valve closure
- Long operational life
- No hydraulic reservoir- mounts in any position
- No clutches, battery packs or clock springs
- Simple 2-wire control
- Two Year Warranty
- FM Approved
- Cost-effective

Torque Range

- Up to 900 in-lbs (end of spring)

Temperature Range

- 0 F to 150 F

Supply Voltage

- 120 & 240 VAC, 24 VDC

Standards

- Type 4, 4X
- Class 1, Div 1, Groups B,C,D

Applications

- Oil & Gas Safety Shut Off
- Tank Farms
- Water/Waste Water
- Burner Management
- Oil Field Steam Generators
- Dampers

Get more information:

Product catalog:
WCABR1025

IOM
WCAIM2049

See page 2.

SERIES 34 PNEUMATIC ACTUATOR



Features

- Compact Scotch-Yoke design
- Baked epoxy coating
- Minimum air consumption
- Adjustable speed control
- Single external air and electrical connections
- Fail-safe spring return option
- Built-in solenoid air pilot
- High temperature option

Torque Range

- Up to 1000 in-lbs @ 100 psi input

Temperature Range

- -25 F to 160 F, Optional to 250 F

Supply Voltage

- 24, 120, 240, 480 VAC; 12, 24VDC

Standards

- Type 1, 4, 4x
- Class 1, Div 1, Groups A, B, C, D

Applications

- Industrial Qtr-Turn valve automation
- Automotive, OEM, Chemical & Water

Get more information:

Product catalog:
WCENBR1004

IOM
WCAIM2008

See page 2.

SERIES 39 PNEUMATIC ACTUATOR



Features

- High Performance, High Cycle Design
- Two-Year warranty
- Twin piston, double rack & pinion
- Extruded, anodized aluminum body
- NAMUR, ISO mounting
- Polished stainless steel guide rods
- Multi-spring force transfer
- Dual male output shafts
- End cap air supply ports
- End mount solenoid/switch accessories

Torque Range

- Up to 60,000 in-lbs @ 120 psi input

Temperature Range

- -40 F to 212 F; (high temp option 300F)

Pressure Range

- 30-120psi DA, 40-120psi SR

Standards

- Type 1, 4, 4x
- Class 1, Div 1, Groups A, B, C, D

Applications

- Chemical, Petrochemical & Refining,
- Power, Oil & Gas, Food & Beverage

Get more information:

Product catalog:
WCABR1003

IOM
WCAIM2036

See page 2.

ACCESS ACTUATOR PNEUMATIC ACTUATOR with PROCESS INTERFACE



Features

- Integral solenoid & position switch
- Single electrical connection
- High flow spool valve
- Manual override and speed control
- No mounting brackets
- Diagnostic LED circuit board
- Digital Fieldbus networks

Torque Range

- Up to 60,000 in-lbs

Enclosure

- Type 4, 4X; U.L.; CSA approved
- Class 1, Div 1, Groups B, C, D
- Intrinsically Safe, NRTL/C approved

Position Switch

- SPDT/DPDT, Gold Contact, Proximity

Temperature Range

- 0 F to 160 F

Supply Voltage

- 12, 24 VDC, 24, 120, 240 VAC

Pressure Range

- 40 to 120 psi

Standards

- 4, 4x, 7, 9 and 12

Applications

- Digital Fieldbus Networks, Chemical,
- Petrochemical & Refining, Oil & Gas,
- Food & Beverage, Pharmaceutical

Get more information:

Product catalog:
WCABR1024

IOM
WCAIM2027
WCAIM2028
WCAIM2023
WCAIM2032

See page 2.

SERIES ELK39 END MOUNT POSITION SWITCH



Features

- End mount versus top mount
- Reduced assembly height
- Reduced installation envelope
- Eliminates mounting kits
- Multiple switch options
- Aluminum enclosure
- U.L., CSA & FM Approvals

Enclosure

- Die cast aluminum, epoxy coated

Standards

- Type 4, 4X; U.L.; CSA approved
- Class1, Div1, Groups C,D
- Class1, Div2, Groups E,F, G

Position Switch

- SPDT/DPDT, Gold Contact, Proximity

Temperature Range

- 0 to 160 F

Switch Ratings

- SPDT-15 Amp, 125, 250, 480 VAC; 1/2A, 24VDC
- DPDT-10Amp, 125, 250 VAC; 0.3A,125VDC
- Proximity Sensor - (5-200mA, 20-140VAC, 10-140VAC, UL listed, CSA Certified)

Applications

- Remote position indication
- Relay device for pumps
- Alarms and indicator lights
- Industrial, Chemical, Petrochemical installations

Get more information:

Product catalog:
WCABR1027

IOM
WCAIM2051

See page 2.

ACCESS Actuator END MOUNT POSITION SWITCH



Features

- Integral solenoid & position switch
- Single electrical connection
- High flow spool valve
- Manual override and speed control
- No mounting brackets
- Diagnostic LED circuit board
- Digital Fieldbus networks

Enclosure

- Die cast aluminum, epoxy coated

Standards

- Type 4, 4X; U.L.; CSA approved
- Class1, Div1, Groups B,C,D
- Class1, Div2, Groups E,F, G
- Intrinsically Safe, NRTL/C approved

Position Switch

- SPDT/DPDT, Gold Contact, Proximity

Temperature Range

- 0 to 160 F

Switch Ratings

- SPDT - 15 Amp, 24,120,240 VAC; 1/2A, 24VDC
- DPDT - 10 Amp, 24,120,240 VAC; 1/2A, 24VDC
- I.S.- (Gold Contacts), 1 Amp, 120 VAC, 1 Amp, RES (0.5A IND) 24 VDC
- Proximity Sensor - (5-200mA, 20-140VAC 10-140VAC, UL listed, CSA Certified)

Applications

- Digital Fieldbus Networks, Chemical,
- Petrochemical & Refining, Oil & Gas,
- Food & Beverage, Pharmaceutical

Get more information:

Product catalog:
WCABR1024

IOM
WCAIM2027 (standard)
WCAIM2028 (intrinsically safe)
WCAIM2023 (DeviceNet)
WCAIM2032 (AS-i)

See page 2.

UltraSwitch WGL Series TOP MOUNT POSITION SWITCH



Features

- Pharos visual position indicators for high contrast, wide angle viewing
- Compliance to NAMUR VDI/VDE 3845 mounting specifications eliminates coupler and maximizes interchangeability
- Captive stainless steel cover screws
- Prewired multipoint terminal strip
- Quick-Set spring loaded cams are extra wide and splined to permit tool-free limit switch calibration
- Extensive switch offering for a wide range of applications including mechanical, proximity, solid state sensor options

Description

- Provides a compact and economical package for NEMA 4 visual and remote electrical indication of valve position

Housing Material

- Die cast aluminum; electrostatic powder coated

Standards

- NEMA 4, 4x

Hazardous Area Classifications

- Class I, Division 2, Groups A, B, C, D approvals when supplied with hermetically sealed magnetic proximity switches.
- ATEX II 2G EEx me II T4-T6 with Phazer II and BRS switches.
- Class II Division 2 Groups F&G

Get more information:

Product catalog:
WCENBR1057

Product Specification
WCENPS1054

IOM
WCENIM2075

See page 2.

UltraSwitch WPL Series TOP MOUNT POSITION SWITCH



Features

- UltraDome visual position indicators for high contrast, wide angle viewing
- Compliance to NAMUR VDI/VDE 3845 mounting specifications eliminates coupler and maximizes interchangeability
- Captive stainless steel cover screws
- Prewired multipoint terminal strip
- Quick-Set spring loaded cams are extra wide and splined to permit tool-free limit switch calibration
- Extensive switch offering for a wide range of applications including mechanical, proximity, solid state, and analog feedback options

Description

- Engineered resin enclosure provides excellent protection for harsh corrosive environments

Housing Material

- Non-metallic engineered resin

Standards

- NEMA 4, 4x

Hazardous Area Classifications

- Class I, Division 2, Groups A, B, C, D approvals when supplied with hermetically sealed magnetic proximity switches Atex II 2 G EEx me II T4-T6 with Phazer II and BRS switches.
- Class II Division 2 Groups F&G

Get more information:

Product catalog:
WCENBR1057

Product Specification
WCENPS1055

IOM
WCENIM2075

See page 2.

UltraSwitch WXCL Series TOP MOUNT POSITION SWITCH



Features

- UltraDome visual position indicators for high contrast, wide angle viewing
- Compliance to NAMUR VDI/VDE 3845 mounting specifications eliminates coupler and maximizes interchangeability
- Captive stainless steel cover screws
- Prewired multipoint terminal strip
- Quick-Set spring loaded cams are extra wide and splined to permit tool-free limit switch calibration
- Extensive switch offering for a wide range of applications including mechanical, proximity, solid state, and analog feedback options

Description

- Provides a heavy-duty and rugged globally-certified explosion-proof package for visual and remote electrical indication of valve position

Housing Material

- Die cast aluminum; dichromate conversion undercoat; electrostatic powder top coat

Standards

- NEMA 4, 4x, 7 and 9, IP65, IP67

Hazardous Area Classifications

- Explosion-Proof (UL/CSA/ATEX) mechanical switch options
- Class I, Divisions 1, Groups C and D
- Class II, Divisions 1, Groups E, F and G
- ATEX II 2 G EEx d IIB T5
- Explosion-Proof (UL/CSA/ATEX) proximity/solid state switch options (except NJ)
- Class I, Division 1, Groups C and D
- Class I, Division 2, Groups A, B, C and D with select hermetically sealed proximity switches
- Class II, Divisions 1 and 2, Groups E, F and G
- ATEX II 2 G EEx d IIB T5

Get more information:

Product catalog:
WCENBR1057

Product Specification
WCENPS1056

IOM
WCENIM2076

See page 2.

Aviator Integrated Valve Controller TOP MOUNT POSITION



Description

- Designed for use with pneumatic rotary industrial valve actuators in hazardous locations. With the same features as the UltraSwitch, the Aviator provides actuator/valve control by receiving a direct solenoid voltage signal. Also provides remote indication of open and closed valve positions by completing separate electrical circuits.

Housing Material

- Aluminum (XV and CV models)
- Engineered Resin (WR model)

Standards

- NEMA 4, 4x, 7, 9 IP66/IP67 (XV model)
- ATEX EEx d IIB (CV model)
- NEMA 4, 4x (WR model)

Hazardous Area Classifications

- Class I, Division 1, Groups C, D
- Class II, Division 1, Groups E, F, G
- Class II, Division 2 Groups F&G
- Class I, Division 2, Groups A, B, C and D
- ATEX II 2 G EEx d IIB T4-T6
- ATEX II 3 G EEx nC II T4-T6 with R4 P1, PP and B4 switch options.

Get more information:

Product catalog:
WCENBR1057

See page 2.

BUSwitch Integrated Valve Controller

TOP MOUNT POSITION



Description

- Designed for use with pneumatic rotary industrial valve actuators in hazardous locations with digital fieldbus communications. With the same features as the Aviator, the BUSwitch provides actuator/valve control by receiving a direct solenoid voltage signal. Also provides remote indication of open and closed valve positions by completing separate electrical circuits. Available in the following fieldbus protocols: AS-i, DeviceNet, FOUNDATION Fieldbus and PROFIBUS DP.

Housing Material

- Aluminum (XV and CV models)
- Engineered Resin (WR model)

Standards

- NEMA 4, 4x, 7, 9 IP66/IP67 (XV model)
- ATEX EEx d IIB (CV model)
- NEMA 4, 4x (WR model)

Hazardous Area Classifications

- Class I, Division 1, Groups C, D
- Class II, Division 1, Groups E, F, G
- Class II, Division 2, F&G
- Class I, Division 2, Groups A, B, C and D
- Class I, Divisions 1 and 2, Groups A, B, C and D Intrinsically safe for FOUNDATION Fieldbus protocol only
- ATEX II 2 G EEx d IIB T4-T6
- ATEX II 3 G EEx nC II T4-T6 with Foundation Fieldbus only

Get more information:

Product catalog: AXENBR0006

Installation instructions:

AXENIM0032 or for non-metallic AXENIM0097

Product specification:

AXENPS0059 or for non-metallic AXENPS0098

Installation instructions:

AXENIM0087 for AS-i protocol

Installation instructions:

AXENIM0048 for FOUNDATION Fieldbus protocol

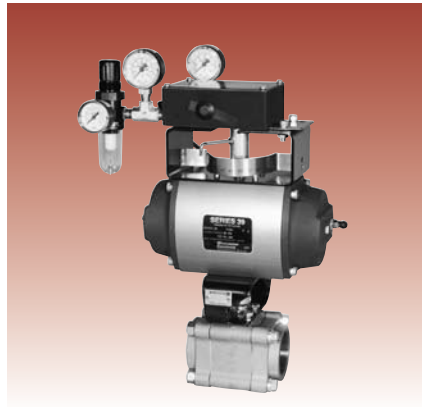
Installation instructions:

LML0012 for PROFIBUS DP protocol

See page 2.

PM15 & PM15E Positioner

Pneumatic & Electropneumatic



Features

- Simple calibration
- Modular design
- External I/P module
- High gain, high capacity spool valve
- Gold plated spool valve
- Stainless internals
- Gauge ports
- Multiple feedback accessories
- NAMUR output shaft
- ISO mounting

Enclosure

- Die cast aluminum, epoxy paint

Ingress Protection

- IP66, NEMA 4

Approvals

- ATEX - EExd, EEx ia, EEx nI
- CSA - Class1, Div1, Groups BCDEFG
I.S. - Class1, Div1, Group A,B,C,D
- FM - Class1, Div1, Groups B,C,D
I.S. - Class1, Div1, Group A,B,C,D

Temperature Range

- 40F to 185F

Accessories

- Position indication, fail freeze, remote mount

Applications

- Accurate and reliable control of linear and rotary pneumatic actuators for modulating control

Industries served: All

Get more information:

Product catalog:

WCABR1032

IOM

WCAIM2016

WCAIM2017

See page 2.

L93 Pulsair Positioner

Analog and Digital



Features

- Linear and rotary actuator control
- Loop powered, microprocessor design
- Simple user interface
- High visibility graphic display
- Auto calibration
- Two-stage air delivery
- Piezoelectric low power control
- "Zero" air bleed design
- Digital communication options
- NAMUR output, ISO mounting

Enclosure

- Die cast aluminum, epoxy paint

Ingress Protection

- IP66, Type 4x

Approvals

- ATEX - EExd, EEx ia, EEx nI
- CSA - Class1, Div1, Groups BCDEFG
I.S. - Class1, Div1, Group A,B,C,D
- FM - Class1, Div1, Groups B,C,DI
I.S. - Class1, Div1, Group A,B,C,D

Temperature Range

- 22F to 185F

Accessories

- Position indication, fail freeze, remote mount

Applications

- High performance digital process control for linear and rotary actuators for modulating control

Industries served: All

Get more information:

Product catalog:

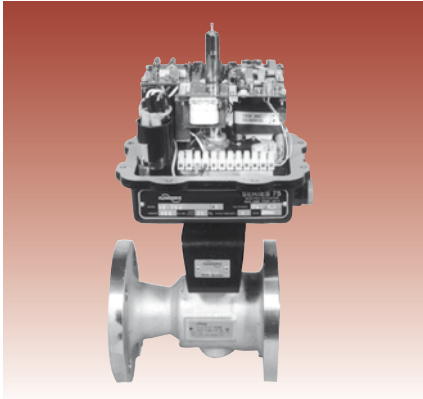
WCABR1019

IOM

WCAIM2055

See page 2.

AF17 Positioner Positioners - Electric Actuation



Features

- Solid-state circuit board
- Multiple signal inputs
- LED calibration
- Deadband control
- Direct and reverse acting
- Position feedback

Enclosure

- Die cast aluminum, epoxy paint

Supply Voltage

- 120VAC, 240VAC, 12VDC, 24VDC

Standard Inputs

- 1-5mA, 4-20mA, 10-50mA, 0-135 ohm
0-1000 ohm, 0-5 VDC, 0-10 VDC

Temperature Range

- -40F To 150F

Accessories

- Analog output module

Applications

- Position control for rotary electric actuators to control valves and dampers.

Industries served: All

Get more information:

Product catalog:

WCABR1027

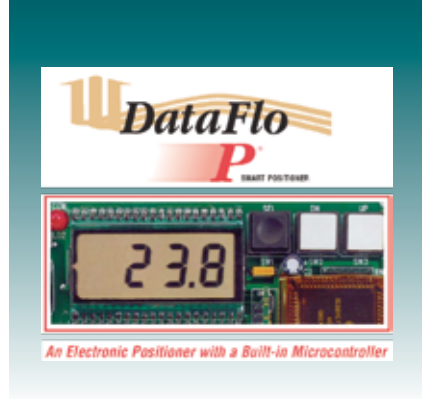
IOM

WCAIM 2031

WCAIM2050

See page 2.

DFP17 - DataFlo Positioner Positioners - Electric Actuation



Features

- Microprocessor control
- Pushbutton calibration
- Speed control
- Electronic travel stops
- Adjustable dead band
- Multiple I/O options
- Digital network communications
- 20 programmable functions

Enclosure

- Die cast aluminum, epoxy paint

Supply Voltage

- 120VAC, 240VAC, 12VDC, 24VDC

Standard Inputs

- 1-5mA, 4-20mA, 10-50mA, 0-135 ohm,
0-1000 ohm, 0-5 VDC, 0-10 VDC

Temperature Range

- -40F To 150F

Accessories

- Analog output module

Applications

- High performance control for Qtr-turn and Multi-turn rotary electric actuators for modulating control of valves and dampers.

Industries served: All

Get more information:

Product catalog:

WCABR1024

IOM

WCAIM2037

See page 2.

DFC17 - DataFlo Controller Controllers - Electric Actuation



Features

- Microprocessor PID control
- Autotuning
- Local process control
- Pushbutton calibration
- Performance monitoring
- Multiple I/O options
- Modbus network communications
- RS485 network communications
- Desk top software

Enclosure

- Die cast aluminum, epoxy paint

Supply Voltage

- 120VAC, 240VAC, 24VDC

Standard Inputs

- 4-20mA, RTD, Thermocouple

Temperature Range

- -40F To 150F

Accessories

- Analog output, 24VDC power supply

Applications

- Direct process control (P.I.D.) for flow, temperature, pressure, level and Ph applications. Primary industries: Food & beverage, OEM, Industrial & Automotive

Get more information:

Product catalog:

WCABR1024

IOM

WCAIM2026

See page 2.



Flowserve Corporation

Flow Control
1978 Foreman Drive
Cookeville, Tennessee 38501
Phone: 931 432 4021
Fax: 931 432 3105
www.flowserve.com

Flowserve Pte. Ltd.

12 Tuas Avenue 20
Republic of Singapore 638824
Phone: 65 862 3332
Fax: 65 862 2800

***To find your local Flowserve representative,
visit www.flowserve.com or call USA 1 800 225 6989***

FCD WCENBR0001-02 01/11 Printed in USA.

Flowserve Corporation has established industry leadership in the design and manufacture of its products. When properly selected, this Flowserve product is designed to perform its intended function safely during its useful life. However, the purchaser or user of Flowserve products should be aware that Flowserve products might be used in numerous applications under a wide variety of industrial service conditions. Although Flowserve can (and often does) provide general guidelines, it cannot provide specific data and warnings for all possible applications. The purchaser/user must therefore assume the ultimate responsibility for the proper sizing and selection, installation, operation, and maintenance of Flowserve products. The purchaser/user should read and understand the Installation Operation Maintenance (IOM) instructions included with the product, and train its employees and contractors in the safe use of Flowserve products in connection with the specific application.

While the information and specifications contained in this literature are believed to be accurate, they are supplied for informative purposes only and should not be considered certified or as a guarantee of satisfactory results by reliance thereon. Nothing contained herein is to be construed as a warranty or guarantee, express or implied, regarding any matter with respect to this product. Because Flowserve is continually improving and upgrading its product design, the specifications, dimensions and information contained herein are subject to change without notice. Should any question arise concerning these provisions, the purchaser/user should contact Flowserve Corporation at any one of its worldwide operations or offices.

© 2011 Flowserve Corporation, Irving, Texas, USA. Flowserve is a registered trademark of Flowserve Corporation.