



PMV PS/PM Series UltraSwitch™ Switchbox



Experience In Motion

Simple
Reliable
Rugged



The PS/PM Series UltraSwitch™ provides accurate & reliable position signaling in harsh corrosive environments. The engineered resin enclosure is provided with multiple switch options. An UltraDome™ indicator for visual position indication is standard with optional flat top for lower profile. It is designed to be directly and easily mounted onto actuators for both rotary and linear indication. It may also be used as a junction box for direct connection of solenoid valves.

With a housing of high strength and corrosion resistant fiberglass reinforced engineered resin, Nylon PA6/PA66, and pre-wired switches, it is both easy to install and withstands the toughest corrosive environments. Nylon PA6/PA66 is used in a number of different high strength, abrasion and impact resistant thermoplastic polyamide formulations. It offers excellent chemical resistance to common chemicals such as solvents, bases and salts. Designed to meet IP66/NEMA 4/4X standards, the PS/PM UltraSwitch™ is certified for both Intrinsically Safe and Non-Incendive hazardous locations.

Typical applications / Industries suitable for the PS/PM-Series UltraSwitch™ are:

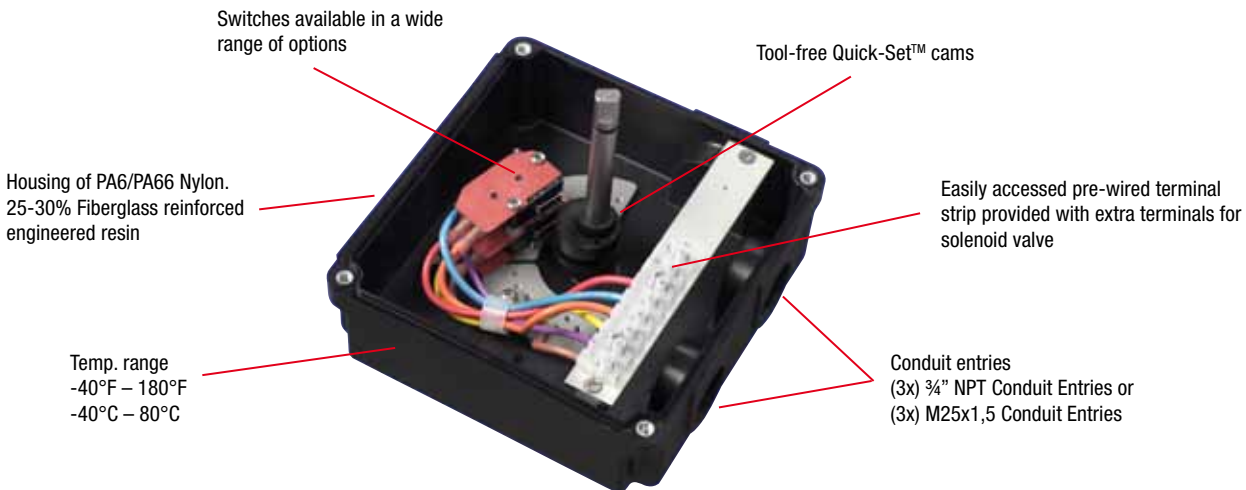
- Chemical & Petrochemical
- Food & Beverage
- Municipal & Wastewater
- Pharmaceutical
- Power

Approvals

Hazardous Locations

IECEx NEM 11.0012X Ex ia IIC T4/T5/T6 • Nemko 11 ATEX1065X II 1G Ex ia IIC T4/T5/T6 • FM IS Cl. 1 Div. 1 Grp.A,B,C,D T4 IP66/Nema 4/4x • FM NI Cl. I, Div. 2 Gr. A,B,C,D T4/T5/T6 Cl. II Div.2 Gr. E,F,G

Features





PS/PM-Series UltraSwitch™ Nomenclature



Mounted on rotary actuator



Mounted on linear actuator

A. Manufacturer	PM	PMV
B. Shaft	N	NAMUR VDI/VDE 3845
	D	Double D 1/4"
C. Connections (cable entry)	PS	Engineered Resin Housing 3 x 3/4 NPT
	PM	Engineered Resin Housing 3 x M25x1,5
D. Indicator option	1	Flat cover without indicator
	U	Standard UltraDome™ red/green
	3	4 Window UltraDome™
	C	90 deg 3-way UltraDome™
	D	180 deg 3-way UltraDome™
	E	180 deg 3-way Centre-blocked UltraDome™
	F	120 deg Thru/Divert UltraDome™
	H	Black/yellow UltraDome™
	K	Ektar UltraDome™ (red/green)
	R	Reverse UltraDome™ (red=open / green=closed)
	W	White/blue UltraDome™
	X	180 deg 3-way UltraDome™ (white/blue)
E. Switch quantity	2	2 Switches
	4	4 Switches
F. Switch options	options	See page with switch options
G. Certificate (pending)*	14	General Purpose
	15	ATEX II 1G Ex ia IIC T4/T5/T6
	21	IEC Ex ia IIC T4/T5/T6
	27	FM IS Cl. 1 Div. 1 Grp. A,B,C,D; T4
	28	FM NI Cl. I, Div. 2 Gr. A,B,C,D T4/T5/T6 Cl. II Div.2 Gr. E,F,G
H. Analog output	0	None
	T	4-20 mA transmitter
	D	180 deg 4-20 mA transmitter
	A	0-1 kOhm Potentiometer
I. Wiring options	0	None
	1	Brad Harrison Connectors - 3 pins
	2	Brad Harrison Connectors - 5 pins
	3	Brad Harrison Connectors - 7 pins
	4	Weidmüller Plintrad special AKZ 2,5
	H	Heavy Duty Terminal Block
J. Minimum extra terminals	2	2 Open Terminal Locations (Standard)
	4	4 Open Terminal Locations (2 SPST switches)
	6	6 Open Terminal Locations (2 SPDT switches)
	8	8 Open Terminal Locations (2 or 4 SPST switches)
K. Special options	0	None
	V	Viton O-rings

Example

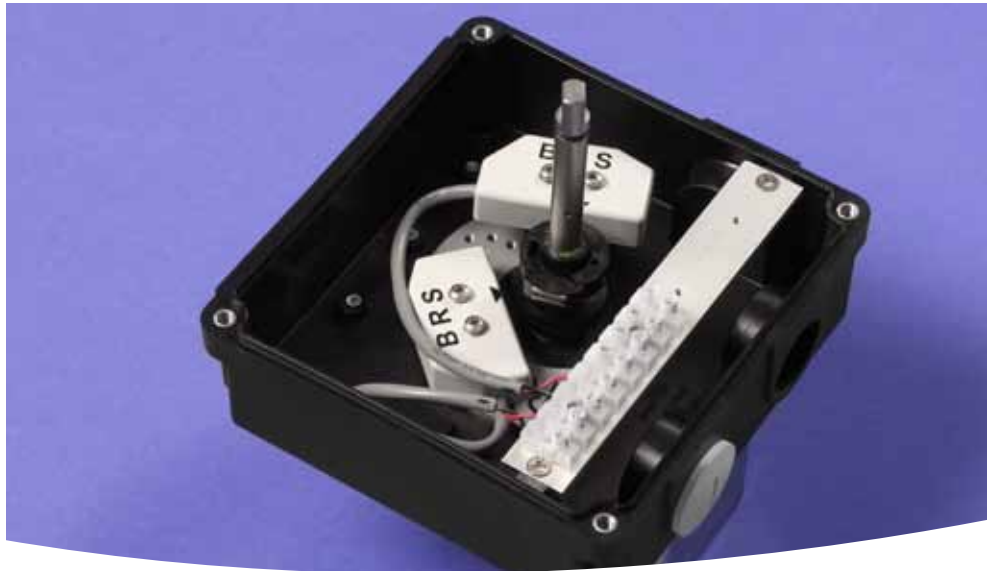
P	M	N	PS	U	2	M1	-	15	-	0	0	2	0
---	---	---	----	---	---	----	---	----	---	---	---	---	---

* See switch option data

Switch Options

Data

Materials of construction

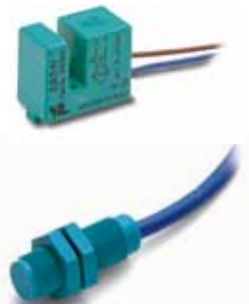


Switch Options

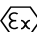
Code	Cert.	Switch Option	Manufacturer	Load Capacity
M1	-	M1 – SPDT Mechanical	Honeywell MicroSwitch	15A @ 125/250 VAC; 0,5A @ 125 VDC; 0,25A @ 250VDC; 5A @ 120VAC
MG	3	MG – SPDT Gold Mechanical	Honeywell MicroSwitch	1A @ 125 VAC; 50 mA @ 24 VDC
MA	-	MA – 3-Position Control	Honeywell MicroSwitch	15A @ 125 VAC; 0,5A @ 125 VDC; 0,25A @ 250VDC; 5A @ 120VAC
M3	-	M3 – DPDT Mechanical	Cherry	15A @ 125/250 VAC
MB	-	MB – DPDT Mechanical	Licon	10A @ 125 VAC
MD	-	MD – 3-Pos. Control w/Indication (DA)	Licon	10A @ 125 VAC
MS	-	MS – 3-Pos. Control w/Indication (SR)	Licon	10A @ 125 VAC
P4	3	P4 – SPST Proximity	Aleph	0.35A @ 140 VAC; 0.25A @ 200VDC (50 W Max.)
P5	3	P5 – SPDT Proximity	Hamlin	0.25A @ 120 VAC; 0.25A @ 28 VDC (3 W Max.)
PE	3	PE – SPDT Sabre Proximity	Flowserve	1A @ 120 VAC; 2A @ 24 VDC
PP	3	PP – SPDT Phazer Proximity	Flowserve	3A @ 120 VAC; 2A @ 24 VDC
PL	3	PL – SPDT Phazer w/LED	Flowserve	0.5A @ 120 VAC; 0.3A @ 24 VDC
PT	3	PT – SPST BRS Proximity	Flowserve	3A @ 120 VAC; 0.5 @ 24 VDC
PX	3	PX – SPST BRS w/LED	Flowserve	0.5A @ 120 VAC; 0.3A @ 24 VDC
N8	3	N8 – Solid State Proximity	PF NJ2 V3 N	NAMUR NC Sensor; 8 VDC
NP	3	NP – Solid State Proximity	PF SJ3.5-N	NAMUR Sensor Output; 5-25 VDC Supply
NQ	3	NQ – Solid State Proximity	PF NJ4-12GK-N	NAMUR NC Sensor; 8 VDC
NR	3	NR – Solid State Proximity	PF NJ4-12GM40-E1	PNP Sinking; 200 mA max. Current; 10-60 VDC
NS	3	NS – Solid State Proximity	PF NJ4-12GM40-E2	NPN Sourcing; 200 mA max. Current; 10-60 VDC
NT	-	NT – Solid State Proximity	PF NJ4-12GK40-E2	NPN Sourcing; 200 mA max. Current; 10-60 VDC
N9	3	N9 – Solid State Proximity	PF NBB3-V3-Z4	NPN Sourcing; 100 mA max. Current; 5-60 VDC

Data/Materials

Data	
Ingress protection	IP 66, according to EN 60529
Weight	1 kg / 2,2 lbs
Part	Material
Housing/Cover	PA6/PA66 Nylon. 25-30% Fiberglass filled engineered resin
Shaft	Stainless Steel
Cams/Splines	Nylon
Terminal Block	Nylon – Buchanan TBS Series
Internal Brackets	Stainless Steel or Plated Steel
All Internal Fasteners	Stainless Steel or Plated Steel
All External Fasteners	Stainless Steel
All Molded in Fasteners	Anodized Aluminum
UltraDome	Polycarbonate
Rotor	Polycarbonate



Certificates

- = General Purpose 3 = ATEX II 1G  Ex ia IIC T4/T5/T6, IEC Ex ia IIC T4/T5/T6 & FM IS/I/1/ABCD/T4/T5/T6



Cover Options

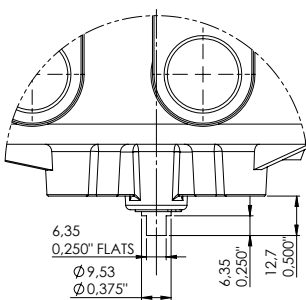
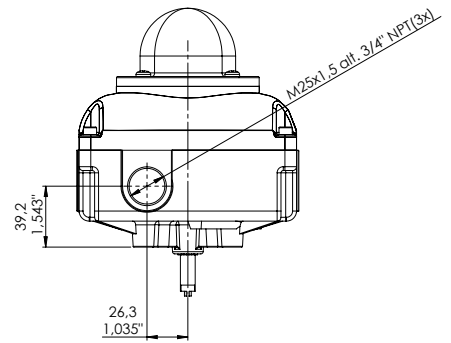
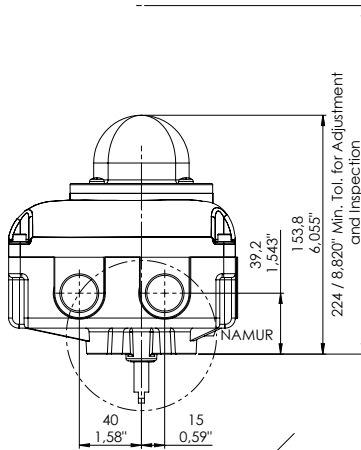
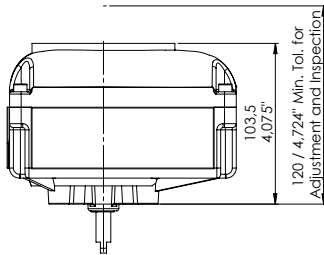
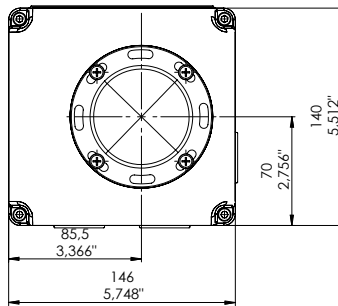


UltraDome™ Indicator

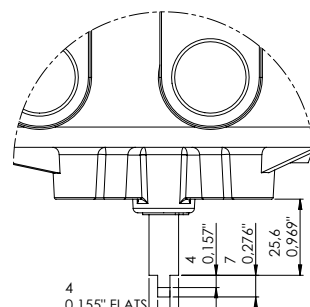
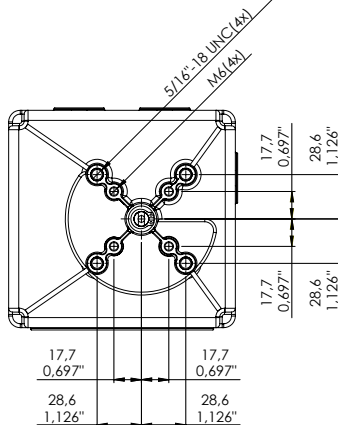


Flat Top

Dimensions PS/PM (mm/inch)



DOUBLE D SHAFT




NAMUR SHAFT



FCD PMENBR0018-01 June 2012

To find your local Flowserve representative:
 For more information about Flowserve Corporation, visit flowserve.com

Hazardous Locations

- IECEX NEM 11.0012X
- Ex ia IIC T4/T5/T6
- Nemko 11 ATEX1065X
- II 1G  Ex ia IIC T4/T5/T6
- FM IS Cl. 1 Div. 1 Grp. A,B,C,D; T4
- IP66/Nema 4/4x
- FM NI Cl. I, Div. 2 Gr. A,B,C,D T4/T5/T6
- Cl. II Div.2 Gr. E,F,G

Flowserve Corporation has established industry leadership in the design and manufacture of its products. When properly selected, this Flowserve product is designed to perform its intended function safely during its useful life. However, the purchaser or user of Flowserve products should be aware that Flowserve products might be used in numerous applications under a wide variety of industrial service conditions. Although Flowserve can (and often does) provide general guidelines, it cannot provide specific data and warnings for all possible applications. The purchaser/user must therefore assume the ultimate responsibility for the proper sizing and selection, installation, operation, and maintenance of Flowserve products. The purchaser/user should read and understand the Installation and Maintenance (I & M) instructions included with the product, and train its employees and contractors in the safe use of Flowserve products in connection with the specific application.

While the information and specifications contained in this literature are believed to be accurate, they are supplied for informative purposes only and should not be considered certified or as a guarantee of satisfactory results by reliance thereon. Nothing contained herein is to be construed as a warranty or guarantee, express or implied, regarding any matter with respect to this product. Because Flowserve is continually improving and upgrading its product design, the specifications, dimensions and information contained herein are subject to change without notice. Should any question arise concerning these provisions, the purchaser/user should contact Flowserve Corporation at any one of its worldwide operations or offices.

©2012 Flowserve Corporation, Irving, Texas, USA. Flowserve and PMV are registered trademarks of Flowserve Corporation.

Palmstierna International AB

Korta Gatan 9
 SE-171 54 Solna
 SWEDEN
 Tel: +46 (0) 8 555 106 00
 Fax: +46 (0) 8 555 106 01
 E-mail: infopmv@flowserve.com

Germany

Flowserve
 Sperberweg 16
 D-41468 Neuss
 GERMANY
 Tel: +49 (0) 2131 795 74 80
 Fax: +49 (0) 2131 795 74 99
 E-mail: pmvgermany@flowserve.com

UK

Flowserve
 Abex Road
 Newbury, Berkshire, RG14 5EY
 UK
 Tel: +44 (0) 1635 46 999
 Fax: +44 (0) 1635 36 034
 E-mail: pmvukinfo@flowserve.com

Italy

Flowserve Spa
 Via Prealpi, 30
 20032 Cormano (Milano)
 ITALY
 Tel: +39 (0) 2 663 251
 Fax: +39 (0) 2 615 18 63
 E-mail: infoitaly@flowserve.com

USA, Mexico

PMV-USA
 14219 Westfair West Drive
 Houston, TX 77041
 USA
 Tel: +1 281 671 9209
 Fax: +1 281 671 9268
 E-mail: salespmv@flowserve.com

Asia Pacific Headquarters

Flowserve Pte Ltd.
 No. 12 Tuas Avenue 20
 REPUBLIC OF SINGAPORE 638824
 Tel: +65 (0) 687 98900
 Fax: +65 (0) 686 24940
 E-mail: fcdasiaprocess@flowserve.com

South Africa

Flowserve
 Unit 1, 12 Director Road
 Spartan Ext. 2
 1613 Kempton Park, Gauteng
 SOUTH AFRICA
 Tel: +27 (0) 11 397 3150
 Fax: +27 (0) 11 397 5300

The Netherlands

Flowserve Flow Control Benelux
 Rechtaad 17
 4703 RC Roosendaal
 THE NETHERLANDS
 Tel: +31 (0) 30 6771946
 Fax: +27 (0) 30 6772471
 E-mail: fcbinfo@flowserve.com

China

Flowserve
 Hanwei Building
 No. 7 Guanghua Road
 Chao Yang District
 100004 Beijing
 CHINA
 Tel: +86 (10) 6561 1900
 Fax: +86 (10) 6561 1899

flowserve.com