



Kämmer Series 030000

Low Flow Valves

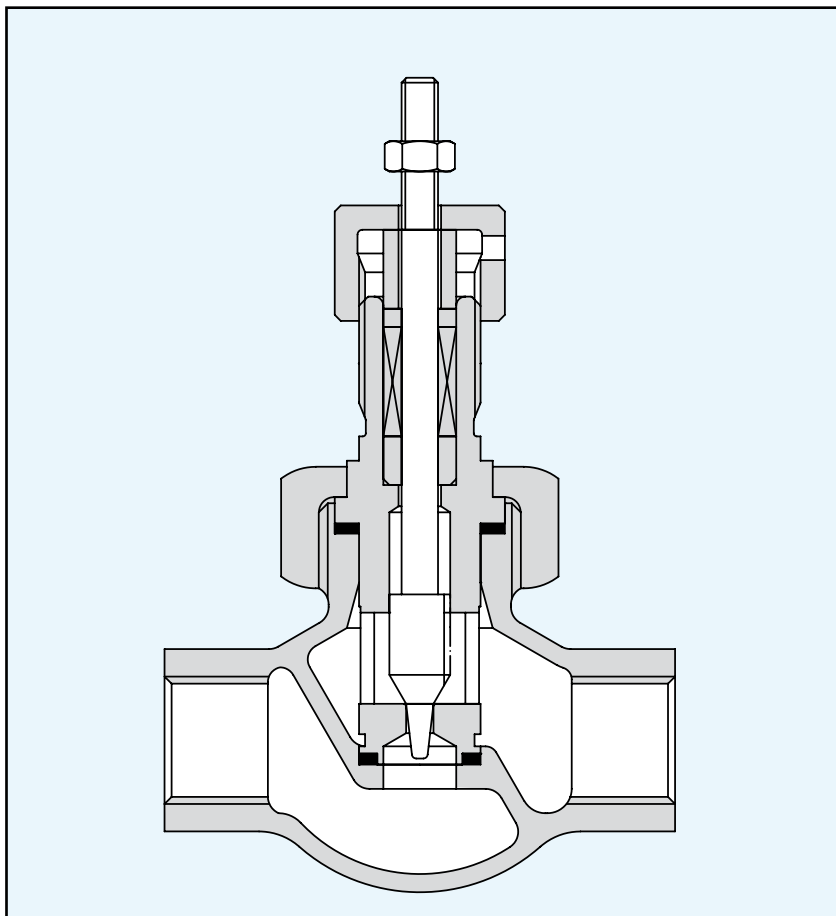


Experience In Motion

Series 030000

Description

Kämmer series 030000 low flow valves are designed for precision controlling up to PN40. The body is a precision casting for high finishing accuracy. Together with the series 1 actuator it forms a compact control valve. On request a special calculating programme is available to define the K_{vs} -values and the actual rangeability.



Standard valve with female thread

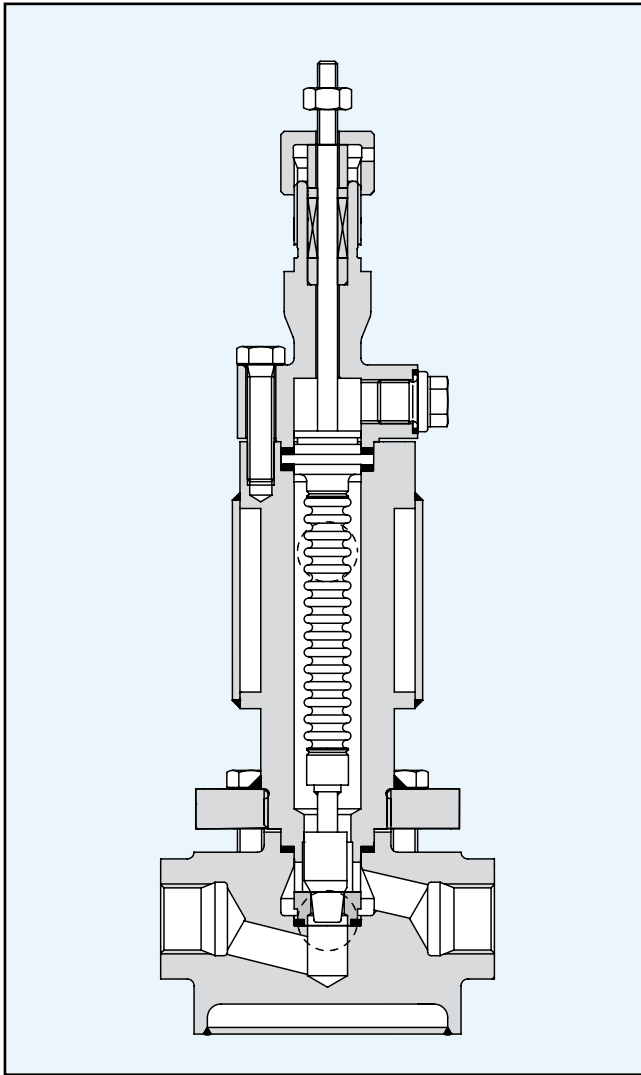
Series 030000

Technical Data

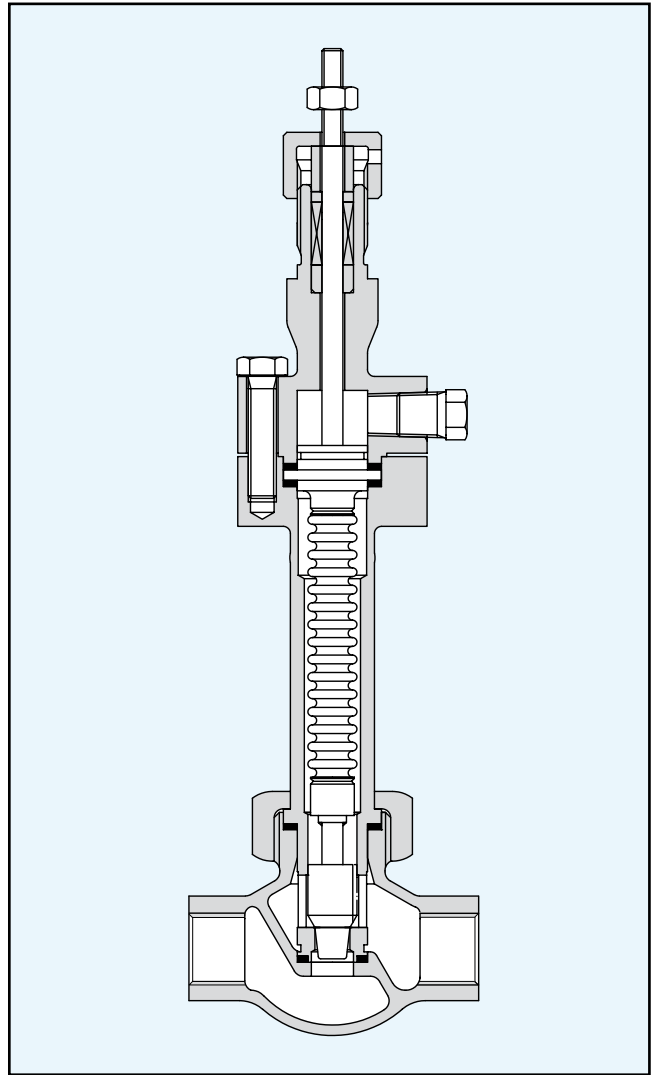
Valve body style	Globe valve
Characteristics	Equal %, linear, On - Off
Seat leakage, standard	≤ 0.01 of rated K_{vs} -value
Material for plug / seat	See table on page 5
Packing	PTFE for temperatures up to 200 °C Grafoil for temperatures over 200 °C PTFE packing for oxygen service Packing according to German clean air act
PTFE soft seat (T = max.150 °C)	In seat ring $K_{vs} \geq 0.1$
Body gasket	PTFE for temperatures up to 200 °C Grafoil for temperatures over 200 °C
Extensions	Standard, normalising fins, bellows seal
K_{vs} -values	See table on page 5
Connections	Female thread G ½" or NPT ½" Optional: As compact valve with series 1 actuator DIN flanges. ANSI flanges for special applications
Valve Body	CF8M

Series 030000

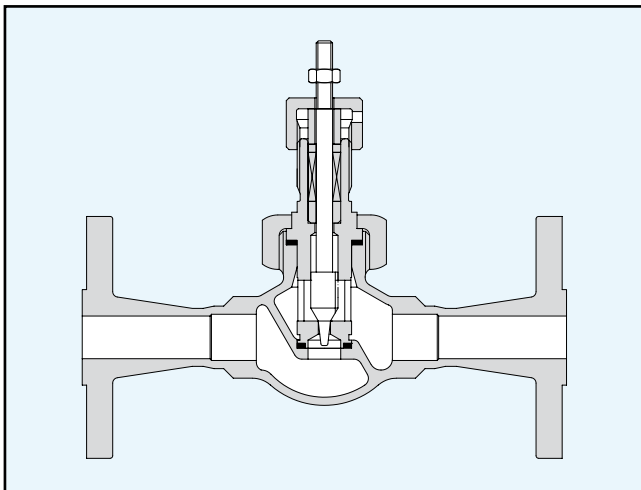
Designs



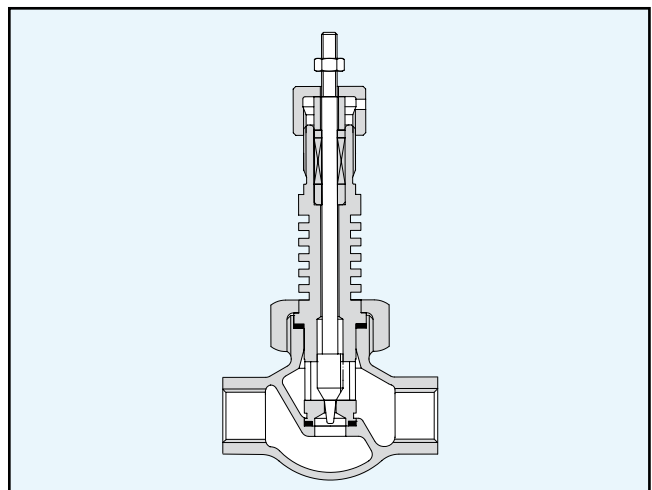
Valve with steam jacket



Valve with bellows seal



Special body design with weld-on flanges



Valve with normalising fins -30 to 0 °C
resp. +250 to +400 °C

Series 030000

Standard K_{vs} Values

Trim-No.	K_{vs} value (acc. to DIN EN 60534)	Stroke (mm)	Stem diameter (mm)	Seat diameter (mm)	Rangeability**	Standard plug material	Standard seat material	Characteristics Linear	Characteristics equal%	Alternative material for seat/plug	
										Hastelloy C	Monel, Titanium, Alloy 6
2E	0.0019	10	6	2	25:1	Alloy 6	1.4122	-	X	X	-
2D	0.0025							-	X	X	-
2C	0.0033							-	X	X	-
2B	0.0046							-	X	X	-
2A	0.0068							-	X	X	-
3H	0.011	10	6	3	50:1	Alloy 6	1.4571	X	X	X	X
3G	0.017							X	X	X	X
3F	0.025							X	X	X	X
3E	0.040							X	X	X	X
3D	0.063							X	X	X	X
3C	0.10	10	6	3	50:1	1.4571	1.4571	X	X	X	X
3B	0.16							X	X	X	X
3A	0.25			X				X	X	X	
4.5B	0.40			4.5				X	X	X	X
4.5A	0.63							X	X	X	X
7B	1.0	10	6	7	50:1	1.4571	1.4571	X	X	X	X
7A	1.6			X				X	X	X	
10	2.5			10				X	X	X	X

** For calibration conditions

Series 030000

Dimensions [mm] and Weights (kg)

	Connections		Length A	Height F			Weight		
	Flange	Female thread		Std.	Fins	Bellows	Std.	Fins	Bellows
			DN 10	130	45	85	130	0.7	1.2
	DN 15	130	2.0	2.5				3.5	
	DN 20	150	2.2	2.7				3.7	
	DN 25	160	2.4	3.0				4.1	
	1/2"	178	3.3	3.5				4.8	
	3/4"	181	2.2	2.7				3.7	
	1"	184	2.4	3.0				4.1	
			3.3	3.5				4.8	

Model Code

Valve type			Bonnet extension		Actuator	
030	Globe valve	Series 030 000	0	Standard	H1	Manual handwheel
			1	Normalising fins	37	Pneumatic with integral positioner
			3	Bellows seal	P0/P1 P2	Pneumatic Series 1 and 2
					E1	Electric motor

Other Kämmer micro-flow valves



Kämmer micro-flow series 080000/081000

Kämmer series 080000 / 081000 ¼" low flow laboratory valves are designed for precision controlling up to PN400. The body is manufactured from bar stock stainless steel and is easily adapted to meet application requirements. Together with the series 1 actuator it forms an extremely compact control valve. Upon request a special calculating programme is available to define the K_{vs} values and the actual rangeability.



Kämmer micro-flow series L80000

With this innovative valve concept, Flowserve Kämmer Valves sets standards in the micro-valve world. From its beginnings in 1966, Kämmer has been considered a world leader for precision and reproducibility in micro-flow applications and now completes its micro-valve series with the L80000 laboratory valve. The design with a moving stainless steel ball as the sealing device and the modular construction destine the series L80000 as an "All-rounder" in the areas of laboratory and pilot installation technology. Various options with respect to design and materials leave hardly anything to be desired. With regard to flexibility and adaptability this valve series is best suited to meet your most demanding applications.



Kämmer Laboratory valves series 185000/187000

Kämmer microflow series 185000 and 187000 are ½" laboratory valves designed for precision controlling. The bodies in stainless steel and C-steel are manufactured from forged material, the bodies for all other special materials are manufactured from bar stock. The bodies are, therefore, easy to adapt for application requirements. Together with the series 1 or 2 actuators they form a compact control valve. Upon request a special calculating programme is available to define the K_{vs} values and the actual rangeability.



Germany

Flowserve Essen GmbH
Flowserve Flow Control
Kämmer Ventile
Manderscheidtstrasse 19
45141 Essen
Germany
Tel.: +49 (0) 201 89 19 5
Fax.: +49 (0) 201 89 19 662

FCD KMEEBR3020-01 04.11

Your contact:

A large, empty rectangular box with a dashed border, intended for the user to provide contact information.

All data subject to change without notice
©04.2011 Flowserve Corporation. Flowserve and Kämmer are trademarks of Flowserve Corporation