

ERHARD is a company of



ERHARD

Datasheet ERHARD ECLI butterfly valve



ERHARD ECLI butterfly valve

Two types of valves are mainly used for shutting off pipelines in sewage engineering or industrial applications:

- One of these is the gate valve, which was developed in the ancient world and is still used in many applications today thanks to its sophisticated technology and, above all, the free passage it provides when in the open position.
- The other is the butterfly valve, where a sturdy valve disc is moved between the open and closed position in the media flow, and which has a much smaller design height than a gate valve.

Where high pressures and large nominal sizes are involved, double-eccentric butterfly valves such as the ERHARD ROCO Premium butterfly valve are mainly used, since their design guarantees safe opening and closing even under extreme conditions as well as reliable cavitation protection.

Quite often, however, the demands made on shut-off valves are simple e. g. where only small pressures or sizes are required or if the valve is only rarely used, such as is the case with servicing valves up- or downstream from control valves. The ERHARD ECLI butterfly valve is the perfect solution here, since it combines the small design height of a butterfly valve with the cost advantages of a gate valve – all in a shorter face-to-face dimension.

The ERHARD ECLI butterfly valve can be used for applications including cold water and drinking water as well as general industrial applications. Thanks to numerous material options for the valve disc and seal, special application cases can also be realised without any problems.

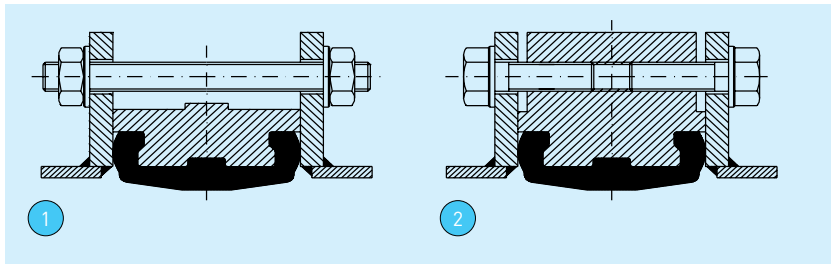
They are available in nominal sizes of DN 32 to DN 300 in numerous versions and can be combined with numerous drive options.



Perfect solutions in every installation situation

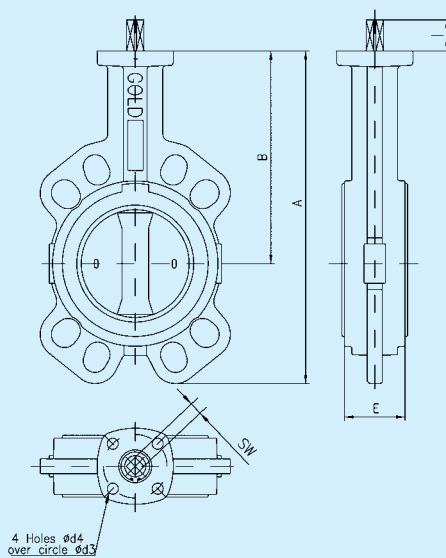
ERHARD ECLI butterfly valves are available in two versions, guaranteeing a perfect connection to the pipe:

- “Wafer type” for clamping between the two flange ends of the pipe [1].
- “Lug type” with threaded eyelets for two-sided flange-mounting to the pipe [2].

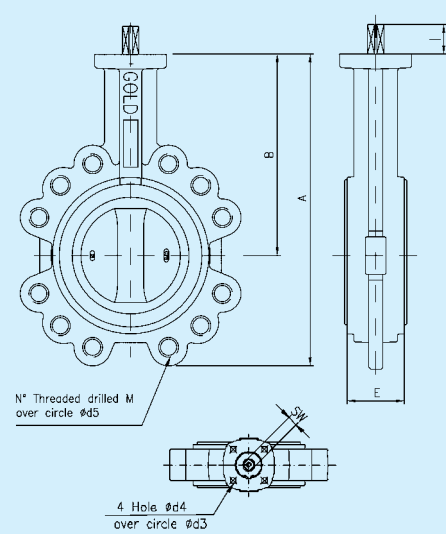


Wafer and Lug type: DN 32 to DN 300

„Wafer type“ for clamping



„Lug type“ for flange-mounting



All sizes at a glance

Size DN	A	B	E	l	J	SW	Feather key		Connecting flange			Bore hole acc. to PN 10				Bore hole acc. to PN 16				
							a	b	K	d3	d4	ISO 5211	d5	d6	M	Anz	d5	d6	M	Anz
Wafer type																				
32	181	125	33	22		11				50	6,5	F05								
40	181	125	33	22		11				50	6,5	F05								
50	202	140	43	22		11				50	6,5	F05								
65	225	156	46	21		11				50	6,5	F05								
80	253	161	46	21		11				50	6,5	F05								
100	288	181	52	21		11				50	6,5	F05								
125	310	195	56	20		14				70	8,5	F07								
150	340	210	56	22		14				70	8,5	F07								
200	394	237	60	22		17				70	8,5	F07								
250	464	262	68	28		22				102	11	F10								
300	540	300	78	28		22				125	14	F12								
Lug type																				
32	181	125	33	22		11				50	6,5	F05	100		M16	4	100		M16	4
40	181	125	33	22		11				50	6,5	F05	110		M16	4	110		M16	4
50	202	140	43	22		11				50	6,5	F05	125		M16	4	125		M16	4
65	225	156	46	21		11				50	6,5	F05	145		M16	4	145		M16	4
80	253	161	46	21		11				50	6,5	F05	160		M16	8	160		M16	8
100	288	181	52	21		11				50	6,5	F05	180		M16	8	180		M16	8
125	310	195	56	20		14				70	8,5	F07	210		M16	8	210		M16	8
150	340	210	56	22		14				70	8,5	F07	240		M20	8	240		M20	8
200	394	237	60	22		17				70	8,5	F07	295		M20	8	295		M20	12
250	464	262	68	28		22				102	11	F10	350		M20	12	355		M24	12
300	540	300	78	28		22				125	14	F12	400		M20	12	410		M24	12